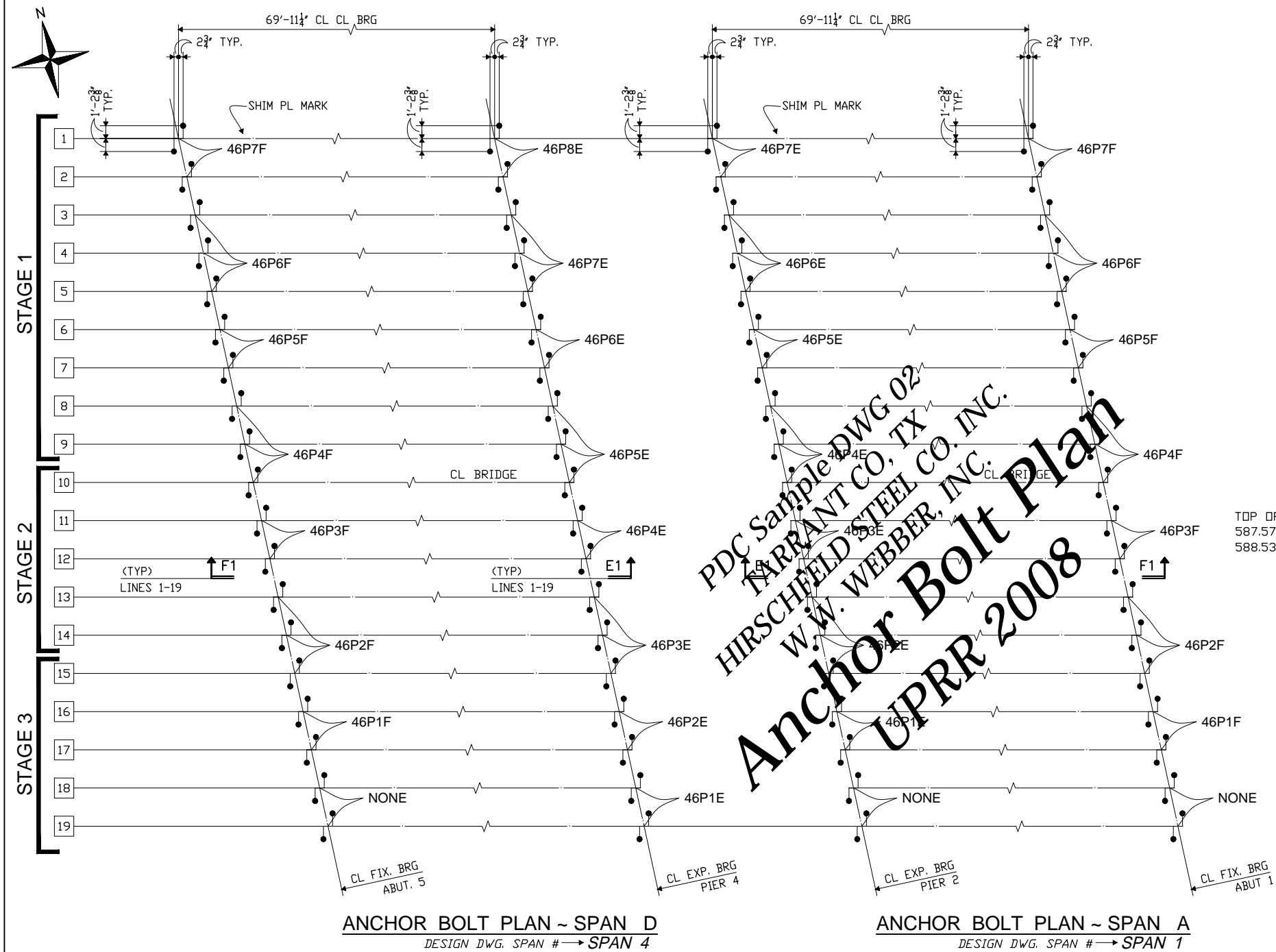
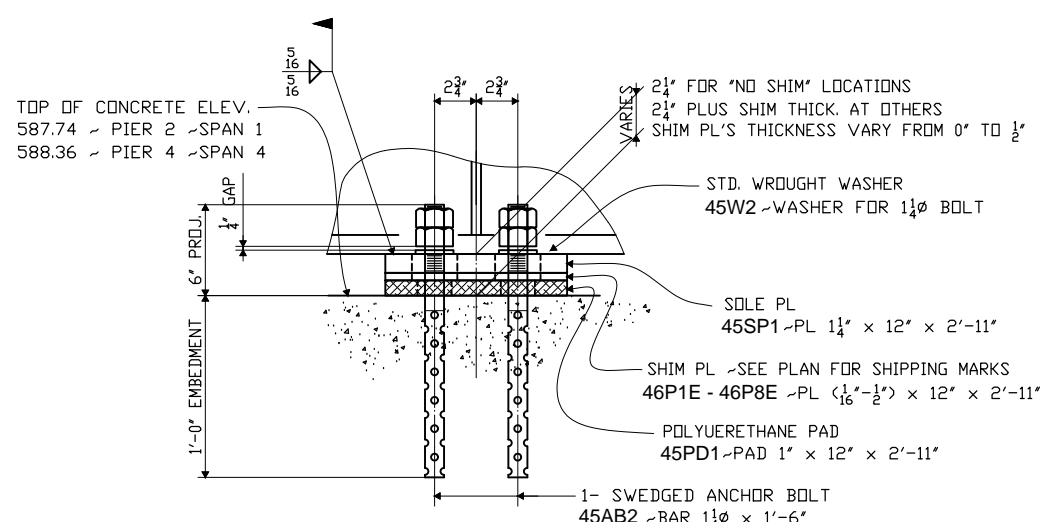


A
B
C
D
E
F
G
H
I
J
K
L
M
N
O
P
Q
R
S
T
U
V
W
X
Y
Z



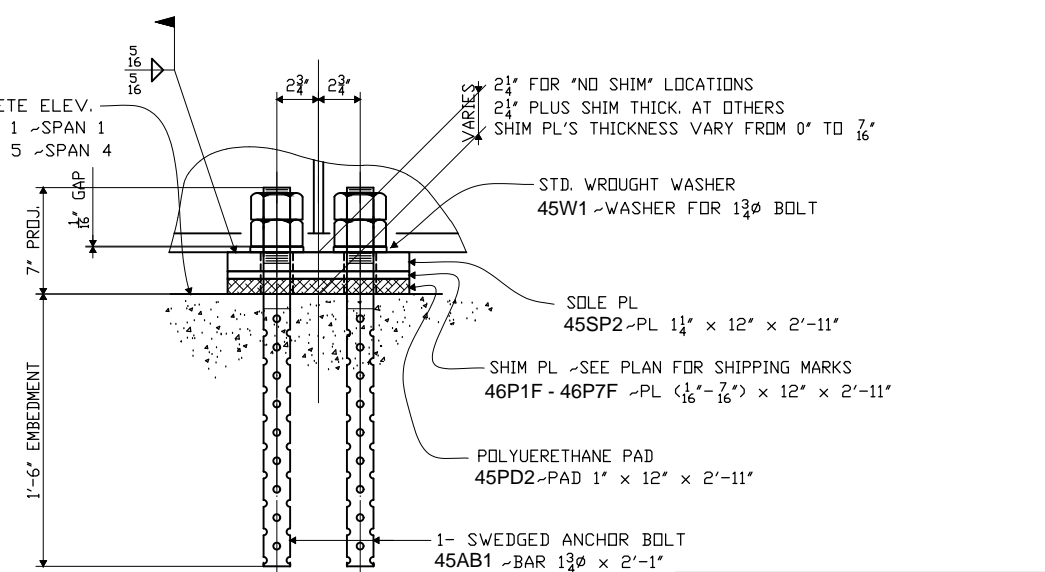
ANCHOR BOLT PLAN ~ SPAN D
DESIGN DWG. SPAN # → SPAN 4

ANCHOR BOLT PLAN ~ SPAN A
DESIGN DWG. SPAN # → SPAN 1



SECTION E1
TYP. EXP. BRG

FIELD TACK WELD SHIM PL TO SOLE PL
AT 1'-0" MAX. CENTER TO CENTER



SECTION F1
TYP. FIX. BRG

FED. ROAD DIV. NO.	STATE	FEDERAL AID PROJECT			
6	TEXAS	NH 2007 (806)			
STATE DIST. NO.	COUNTY	CONTROL NUMBER	SECTION NUMBER	JOB NUMBER	HIGHWAY NUMBER
FTW	TARRANT	2266	02	127, ETC	SH360

REVISION	DATE	DESCRIPTION OF REVISION
NO. 1		
NO. 2		
NO. 3		
NO. 4		
NO. 5		

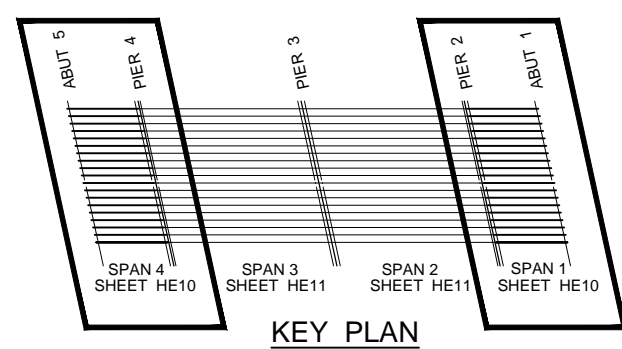
PRINTING	Bolts:	Holes:	Unless Noted
REQ'D FOR DATE	Shop Point:		
	Fab. Spec:	Inspection:	
	Architect:		
	Erection By:	Field Connections:	

HIRSCHFELD STEEL CO. INC.
112 WEST 29TH SAN ANGELO, TEXAS 76903
PHONE (915) 653-3211

DESCRIPTION ANCHOR BOLT & BRG PLAN - SPANS A & D
STRUCTURE SH360/SH180 (DIVISION ST) INTERCHANGE
DALLAS SUBDIVISION ~ U.P.R.R. BRIDGE 229.94
LOCATION TARRANT COUNTY, TEXAS
CUSTOMER W.W. WEBBER, INC.

SHIP TO

Customer's Order No.	SHEET	HE10
Dwg. By: WS	Date: 04-08	
Checked By: PDC/SB	Date: 04-08	JOB NO. 13140H22



KEY PLAN