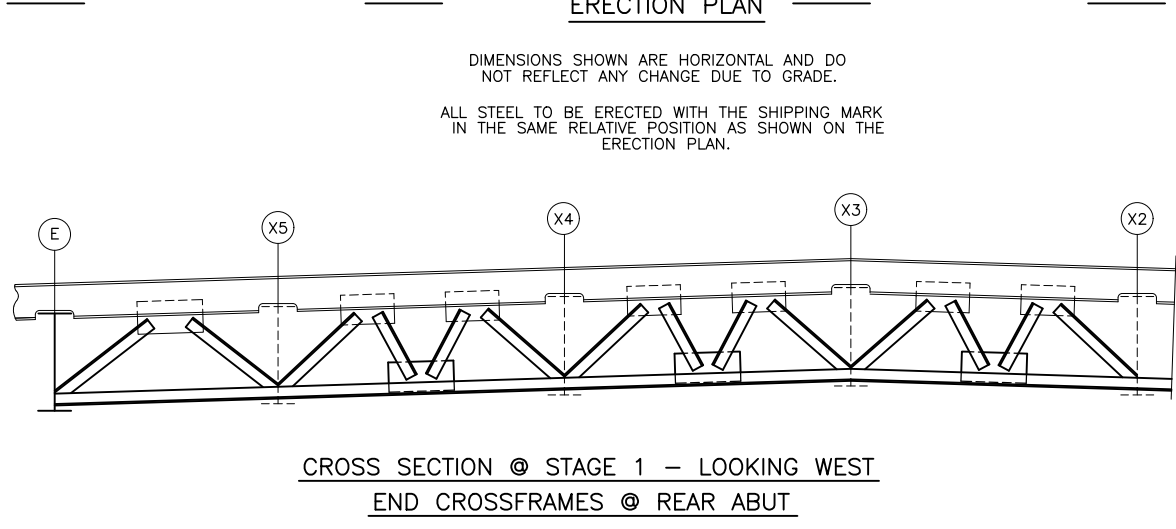
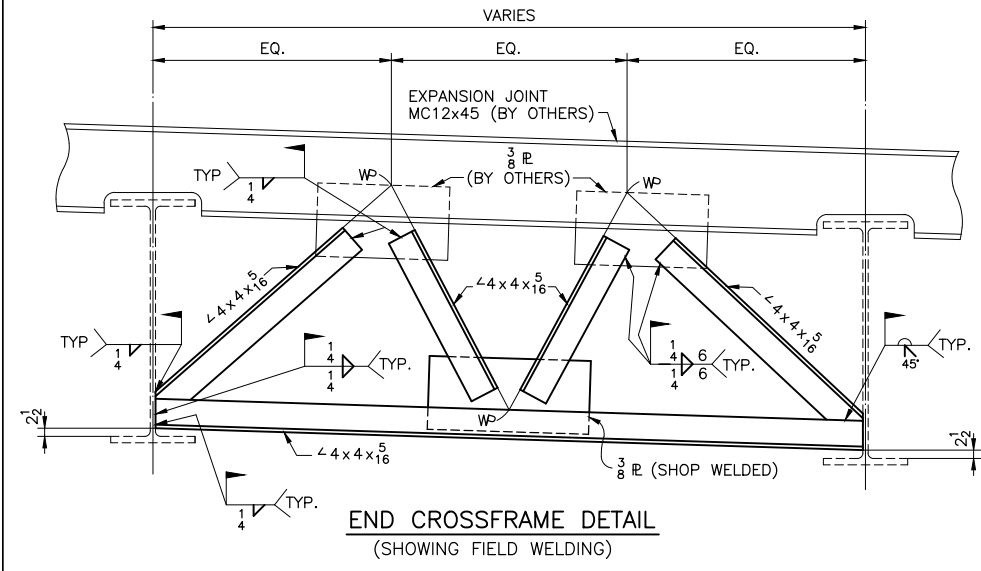


NOTICE TO ERECTOR
 BACKCHARGES FOR CORRECTIVE WORK OR REPLACED MATERIALS WILL NOT BE ACCEPTED UNLESS EXPRESSLY AUTHORIZED BY PDM BEFORE ANY SUCH COSTS ARE INCURRED.

- FIELD NOTES**
1. SPLICE BOLTS SHALL BE INSTALLED WITH THE BOLT HEAD ON THE EXPOSED SIDE OF FASCIA GIRDER AND ON THE BOTTOM SURFACE OF THE BOTTOM FLANGE SPLICE.
 2. USE ONE HARDENED WASHER FOR EACH BOLT AT FIELD SPLICES AND PLACE UNDER THE TURNED ELEMENT (NUT OR BOLT HEAD) TURNED IN TIGHTENING.
 3. SEE SHEETS E502 THRU E509 FOR CROSSFRAME ERECTION DETAILS.

| SHEET INDEX | |
|----------------|--------------------------|
| SHEET NUMBER | DESCRIPTION |
| EN501 | GENERAL NOTES |
| E501 THRU E509 | ERECTION PLAN & SECTIONS |
| B501 THRU B503 | BLOCKING DIAGRAMS |
| 501 THRU 504 | FIELD SPLICES |
| 505 | STANDARD DETAILS |
| 506 THRU 573 | BEAM DETAILS |
| 574 THRU 577 | INTERMEDIATE CROSSFRAMES |
| 578 THRU 588 | END CROSSFRAMES |



| NO. | DATE | REMARKS | BY |
|---|-------------------------|---|-----------|
| REVISIONS | | | |
| | | PDM - BRIDGE - EAU CLAIRE, WISCONSIN - - WAUSAU, WISCONSIN - | |
| STRUCTURE BRIDGE No. LUC-75-0861/IR75 OVER TOLEDO TERMINAL R.R. & HOFFMAN RD. | | | |
| LOCATION LUCAS CO., OHIO ~ STA. 370+27.88-373+38.30 | | | |
| PROJECT NO. 471(1995) / ITEM 513 / REF No. 532 / SFN 4804473L & 4804503R | | | |
| ENGINEER DANSARD-GROHNKE-LONG Limited | | | |
| CONTRACTOR ARMSTRONG STEEL ERECTORS | | | |
| ITEM ERECTION PLAN | | | |
| SURFACE PREP. _____ OPEN HOLES _____ | | | |
| PAINT _____ | | | |
| APPROVAL | DRAWN Precise Drftg./JB | SHEET NO. | ORDER NO. |
| SHOP | CHECKED SB 08-96 | E501 | E1195 |