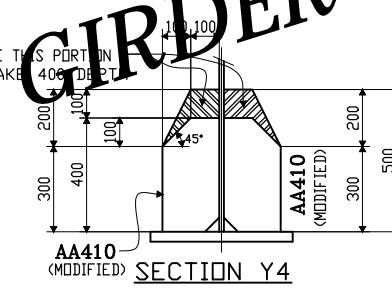


SHOP BILL

LINE NO.	SHIPPING LIST		DESCRIPTION	LENGTH mm	ASSEMBLY MARK	REMARKS	MTRL. SPEC.	MATERIAL APPLICATION		
	POS. NO.	MARK						P.O. NO.	LINE NO.	LENGTH
1	1	421CD4	PL GIRDER							
2	1		PL 45x450	8762	TFCD1	HPS	M270-485VT2	5899IS	11	
3	1		PL 45x450	13500	TFCD2	HPS	M270-485VT2	5899IS	10	
4	1		PL 45x450	7554	TFCD3	HPS	M270-485VT2	5899IS	12	
5	1		PL 50x550	8739	BFGD1	HPS	M270-485VT2	5899IS	5	
6	1		PL 50x550	13500	BFGD2	HPS	M270-485VT2	5899IS	4	
7	1		PL 50x550	7577	BFGD3	HPS	M270-485VT2	5899IS	6	
8	1		PL 16x1800	9039	WCD1		M270-345T2	5903IS	11	
9	1		PL 16x1800	20777	WCD2		M270-345T2	5903IS	6	
10	1		PL 14x450	952	D410		A709M-345T2	6123NH	21	
11	2		PL 16x200	952	E410		A709M-345T2	6123NH	15	
12	1		PL 16x450	1102	A418		A709M-345T2	6123NH	12	
13	2		PL 18x200	1102	C418		A709M-345T2	6123NH	11	
14	1		PL 14x450	1102	D418		A709M-345T2	6123NH	21	
15	2		PL 16x200	1102	E418		A709M-345T2	6123NH	15	
16	1		PL 28x500	1552	G418		A709M-345T2	6123NH	5	
17	2		PL 32x225	1552	H418		A709M-345T2	6123NH	4	
18	4		PL 14x1600	502	G410		A709M-345T2	6123NH	21	
19	8	F	BOLT 22	102		SHIPPING BOLT'S	A307	PB6278	8	
20	4	F	BOLT 22	114		SHIPPING BOLT'S	A307	PB6278	9	
21	4	F	BOLT 22	140		SHIPPING BOLT'S	A307	PB6278	10	
22	4	F	BOLT 22	76		SHIPPING BOLT'S	A307	PB6278	4	
23	18	F	WSTUD 22	150			A108	SHEAR	PB6279	1
24	58	F	WSTUD 22	300			A108	SHEAR	PB6279	2
25	2	PL	50x200	500	AA410	FIN-1E	M270-345T2	6123NH	1	
26	9	PL	12x210	1730	AC410		M270-345T2	6123NH	24	
27	2	PL	12x210	1730	AA419		M270-345T2	6123NH	24	
28	2	PL	12x210	1800	AD418	TF-2E	M270-345T2	6123NH	24	
29	2	PL	16x200	1800	AA418		M270-345T2	6123NH	15	
30	2	PL	16x200	1800	AA406		M270-345T2	6123NH	15	
31	4	P.T.	BEVELED SHIM		SC			SEE HF521		
32	3	P.T.	BEVELED SHIM		SM			SEE HF521		
33	3	P.T.	BEVELED SHIM		SN			SEE HF521		
34	1	PL	16x200	1800	CA410		M270-345T2	6371NH	1	
35	1	PL	16x200	1800	CC410		M270-345T2	6371NH	1	

DOMESTIC MATERIAL
SEE HN401 FOR FABRICATION NOTES

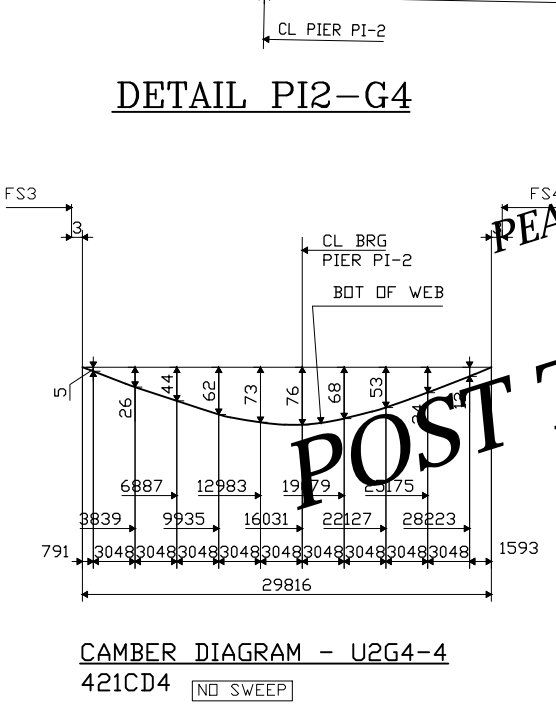
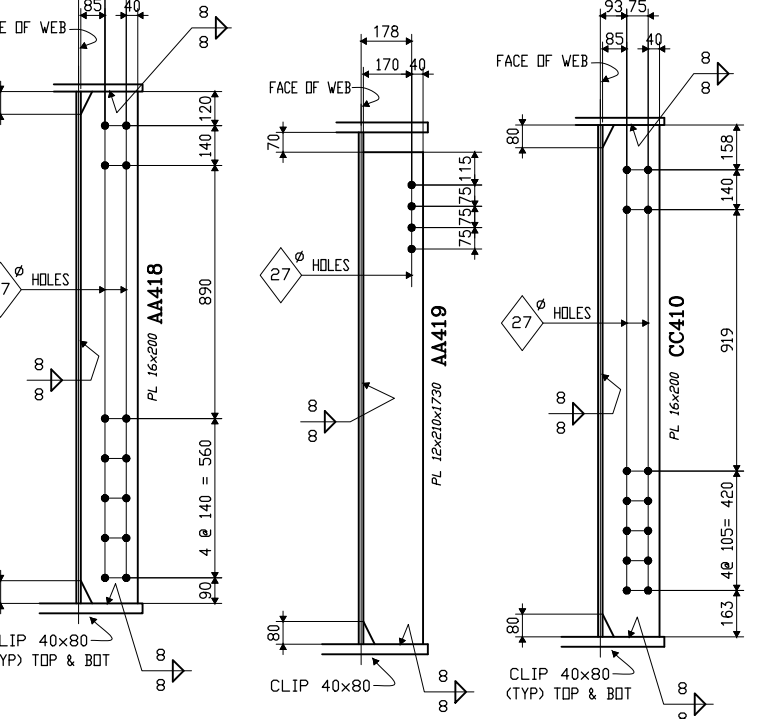
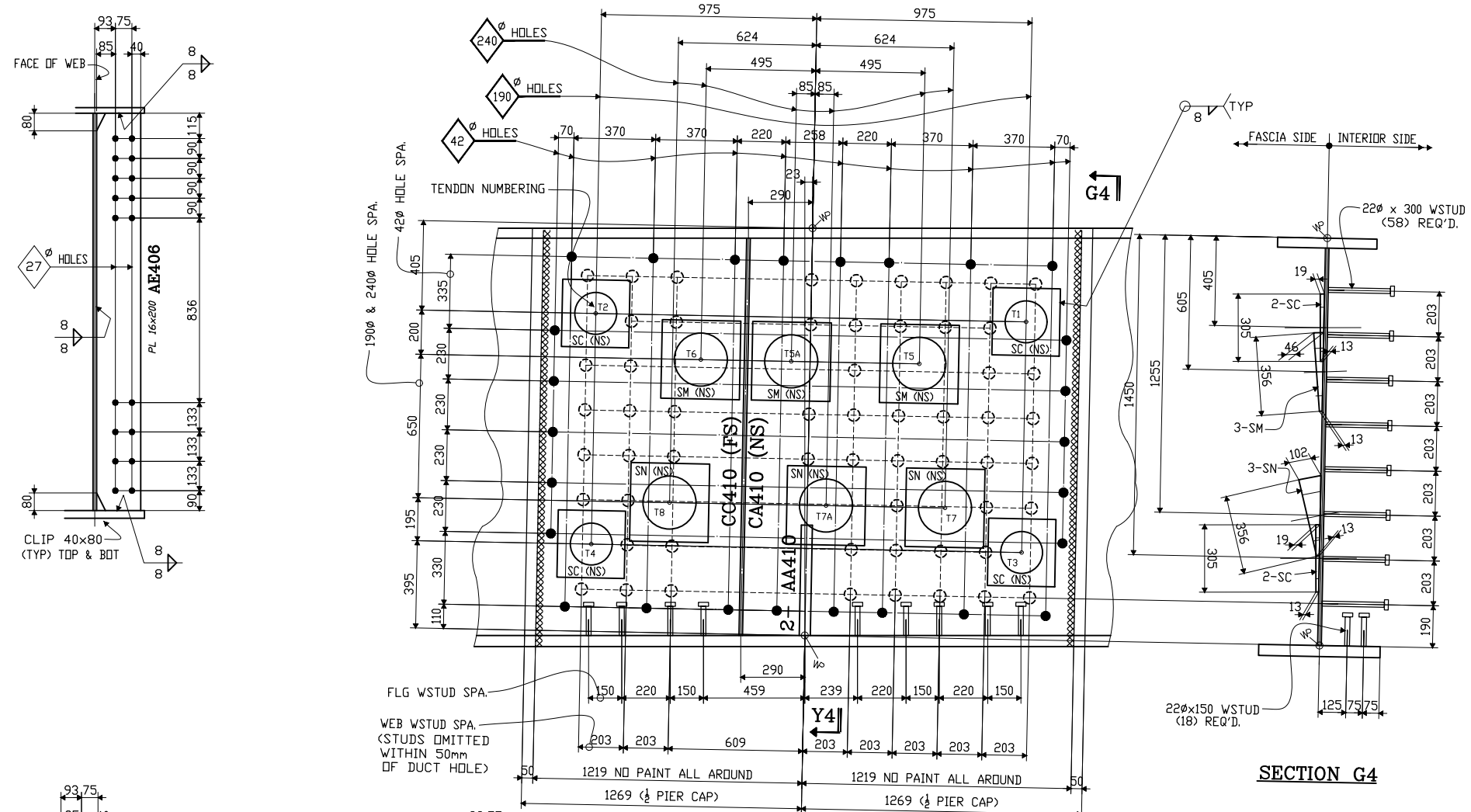


AA410 (MODIFIED) SECTION Y4
FABRICATED BY COLFAX
HOLES 24φ (U.N.) SHOP FASTENERS
SHOP PAINT PAINTED PER HN401 & AS NOTED
SHOP INSPECTION
GENERAL NOTES WORK THIS SHEET w/HF421A

PEARL HARBOR MEMORIAL BRIDGE
I-95 NEW HAVEN HARBOR CROSSING
CORRIDOR IMPROVEMENTS - CONTRACT B1
CTDOT PROJECT No. 92-618
F.A.P. No. 0951(122)
SITE No. 4 - 'RAMP 1'

ORDER NO. 08-18494H45
DETAILS OF PL GIRDER - SPAN CD
UNIT 2 - LINE 4
PROJECT BRIDGE STRUCTURE No. 92-618-4
STA: I 0+685.692 TO STA: I 1+132.559
LOCATION NEW HAVEN, CONNECTICUT
CUSTOMER CIANBRO CORPORATION
CAROLINA STEEL GROUP LLC
MADE BY GM
CHECKED BY PDC/SB
SOUND LEADER FMW
DATE 08-08
SHEET HF 421B

REVISIONS		
DATE	NO.	BY
	R1	



PDC Sample DWG 106
PEARL HARBOR MEMORIAL BRIDGE
CAROLINA STEEL GROUP, LLC
CIANBRO CORPORATION
POST TENSION DET.
CTDOT 2008

REMOVE THIS PORTION TO MAKE TIGHT FIT (NO WELD)

TIGHT FIT (NO WELD)

CLIP 40x80 (TYP) TOP & BOT