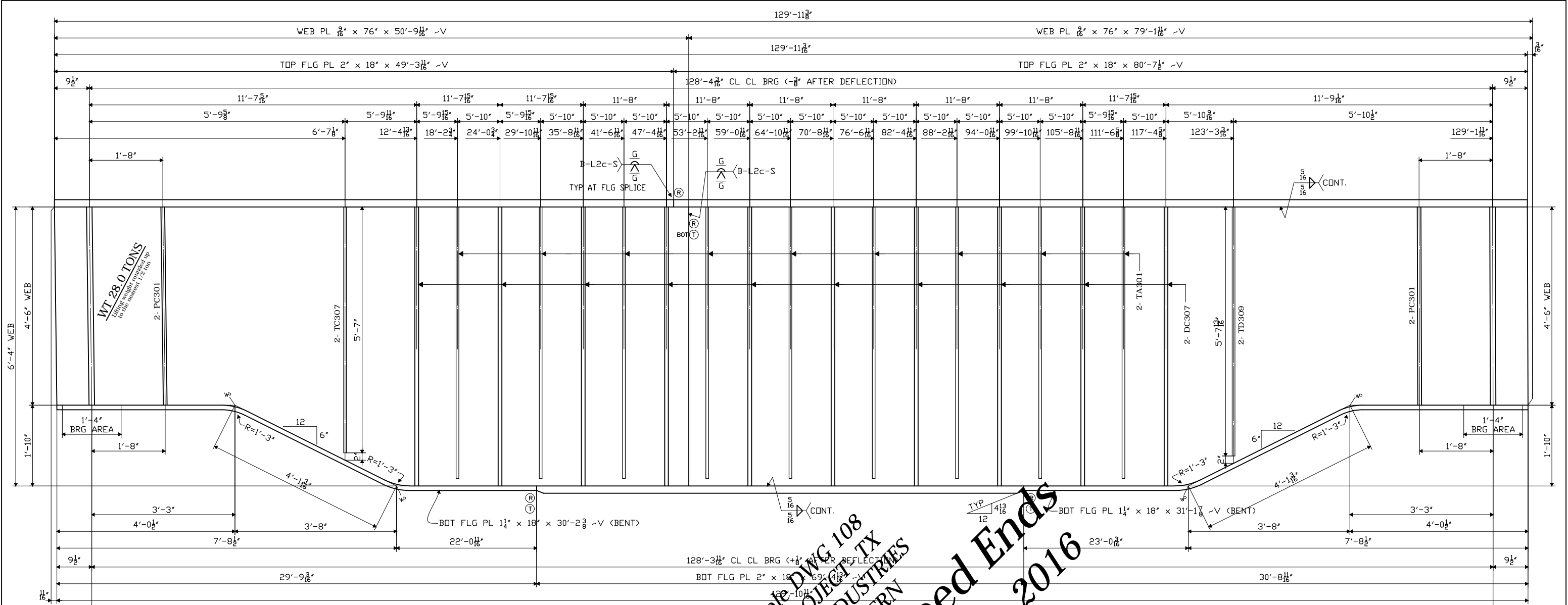
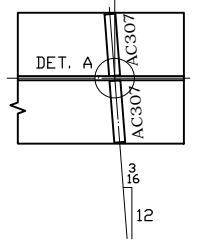
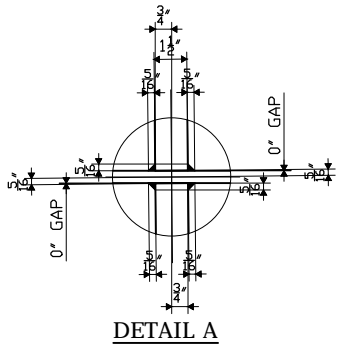
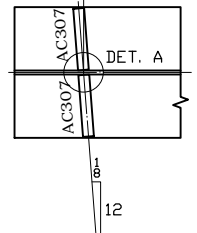


PIER 5

PIER 6



309B3



PDC Sample DWG 108
 TEX RAIL PROJECT TX
 HIRSCHFELD INDUSTRIES
 ARCHER WESTERN
GIRDER w/ Dapped Ends
 Fort Worth Tansp Auth 2016

HOLES 15
 SHOP PAINT NONE
 SHOP INSPECTION
 GENERAL NOTES WORK THIS SHEET w/HF309B

REVISIONS			
DATE	NO.	BY	REVISIONS
	R1		

FORT WORTH TRANSP. AUTHORITY
 TEX RAIL PROJECT LINE SEGMENT 2
 ORDER NO. 16-13267H03
 DETAILS OF PL GIRDER - SPAN B
 LINE 3
 PROJECT UPRR PEACH YARD BRIDGE
 LOCATION TARRANT COUNTY, TX
 CUSTOMER ARCHER WESTERN
HIRSCHFELD INDUSTRIES BRIDGE
 GREENSBORO, NC (336) 275-9711
 MADE BY GM
 CHECKED BY PDC/SB
 SQUAD LEADER Precise Drafting
 DATE 09-2016
 SHEET HF309A