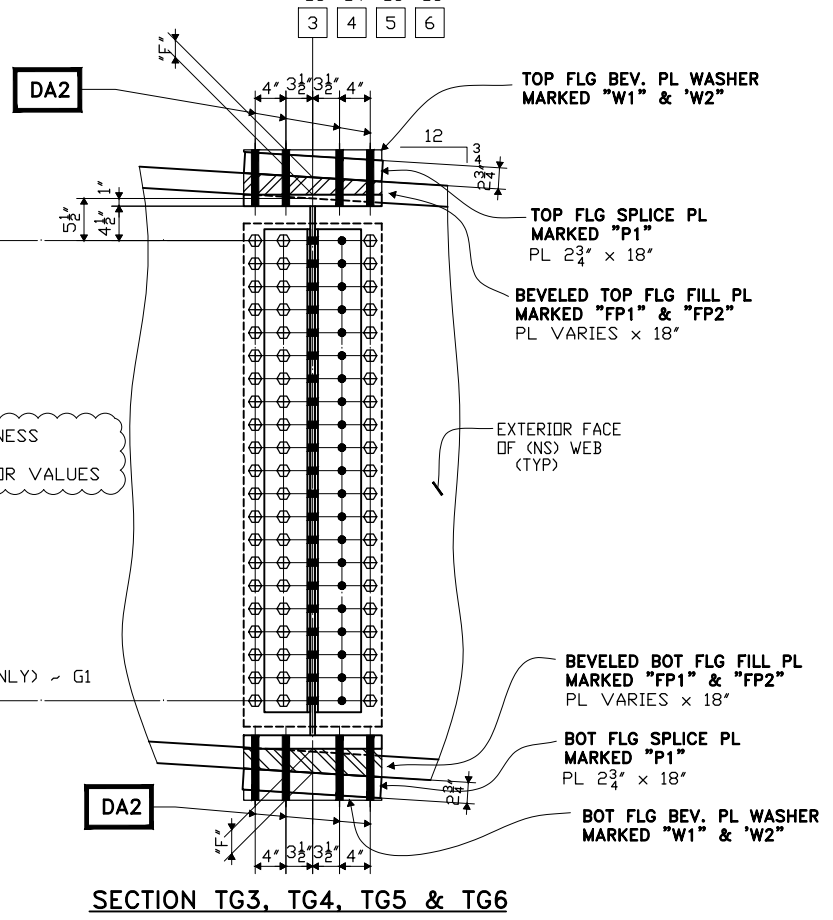
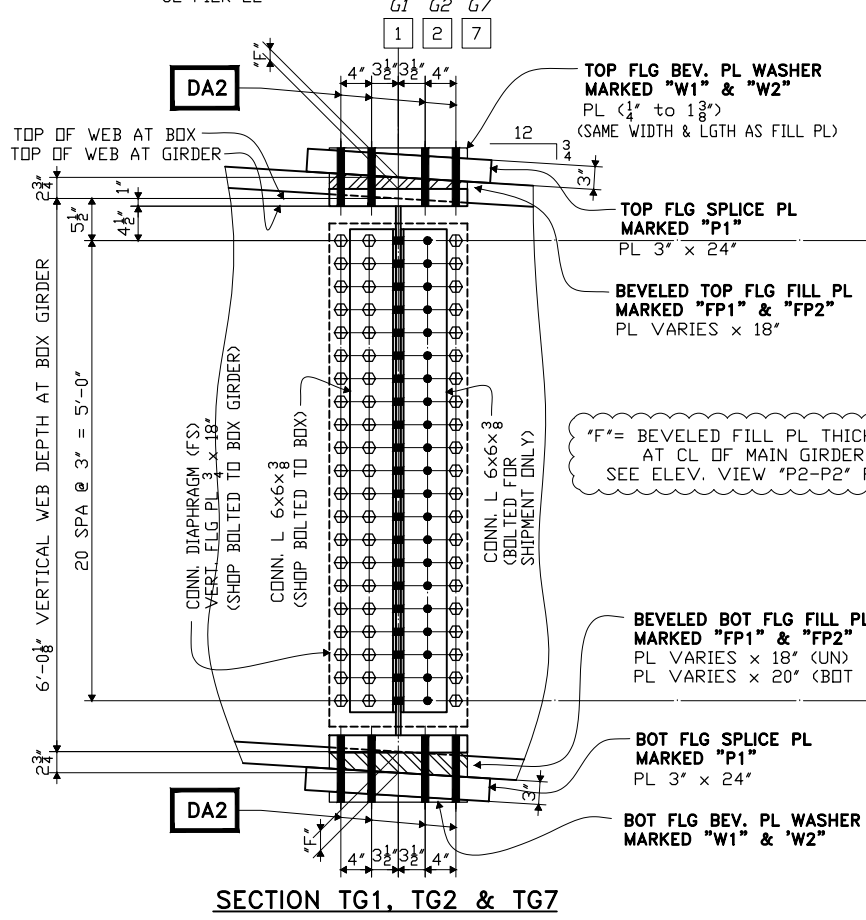
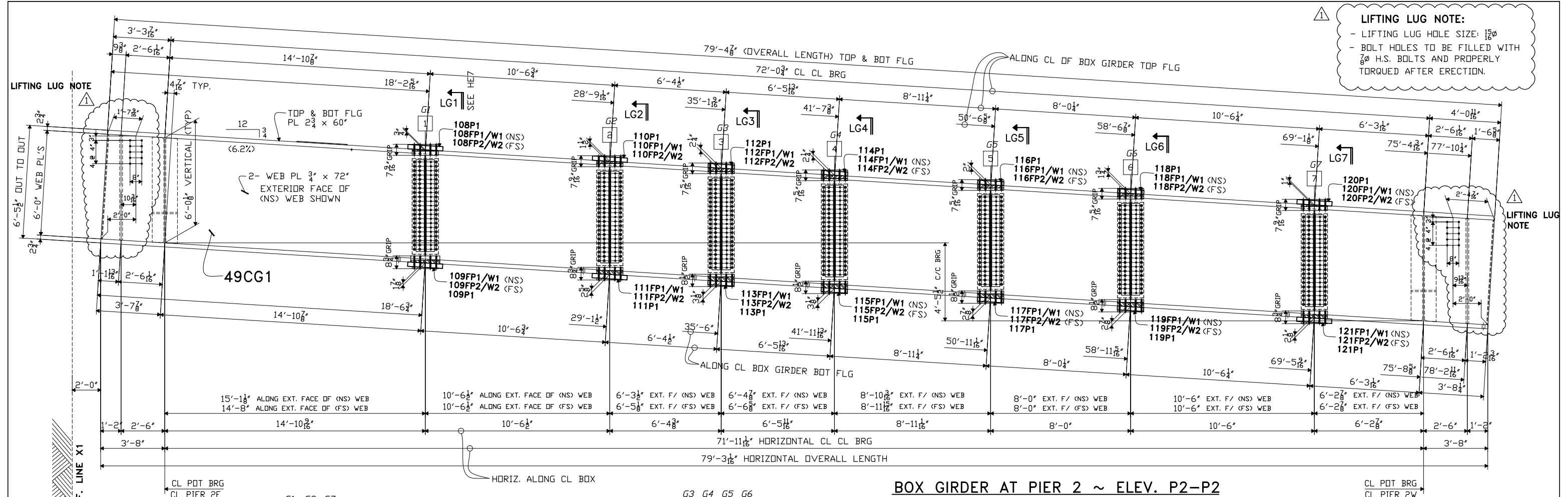


LIFTING LUG NOTE:
 - LIFTING LUG HOLE SIZE: 1 5/8"
 - BOLT HOLES TO BE FILLED WITH 7/8" H.S. BOLTS AND PROPERLY TORQUED AFTER ERECTION.



Steel Framing Plan with PIER CAP BOX GIRDER
 PDC Sample DWG 20
 FAIRFAX CO, VA ~ DULLES RD RAMPS
 HIRSCHFELD INDUSTRIES
 FLUOR LANE, LLC
 W/OT 2010

DATE	NO.	BY	REVISIONS
04/05/11	R1	PDC/SB	ADDED LIFTING LUG HOLES

PROJECT No. 0267-029-145, B671
 STA: 433+00.18 TO STA: 441+72.77
 UPC No. 94524
 FHWA CONST. & SCOUR CODE: X771-SN

ORDER NO. 10-18662H22
 DETAILS OF ERECTION PLAN
 BOX GIRDER AT PIER 2
 PROJECT BRIDGE ON RAMP DARWN & DARWS
 OVER DULLES TOLL ROAD EB (RTE 267)
 LOCATION FAIRFAX COUNTY, VA
 CUSTOMER FLUOR LANE, LLC
HIRSCHFELD INDUSTRIES
 BRIDGE
 GREENSBORO, NC (336) 275-9711

MADE BY WS
 CHECKED BY PDC/SB
 SOUND LEADER Precise Drafting Co, Inc.
 DATE 05-2010

SHEET HE6