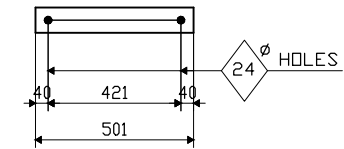
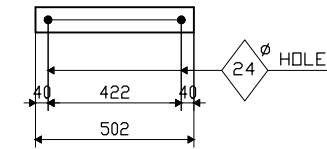


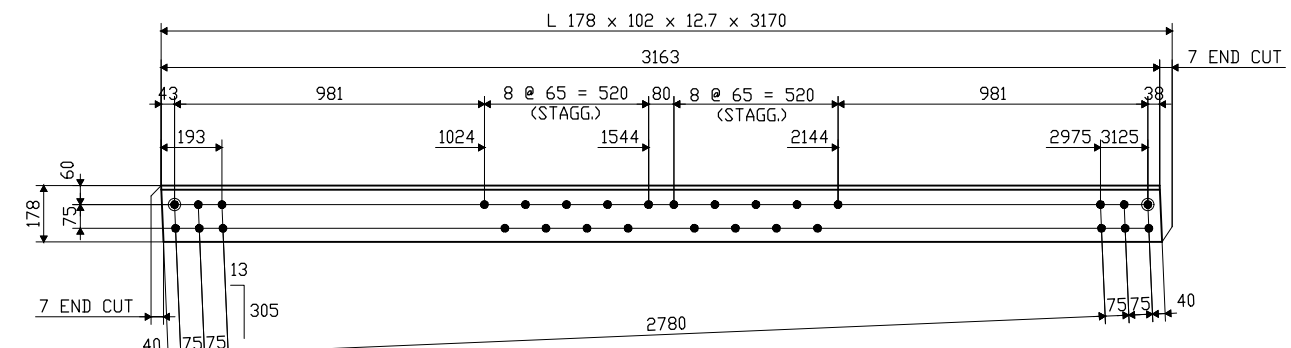
DETAIL of PL "H"



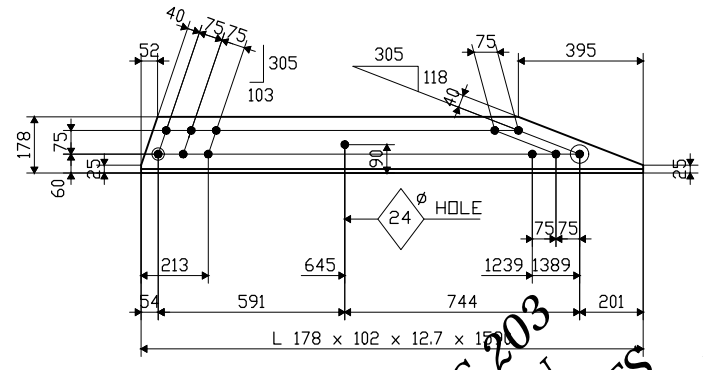
DETAIL of PL "M"



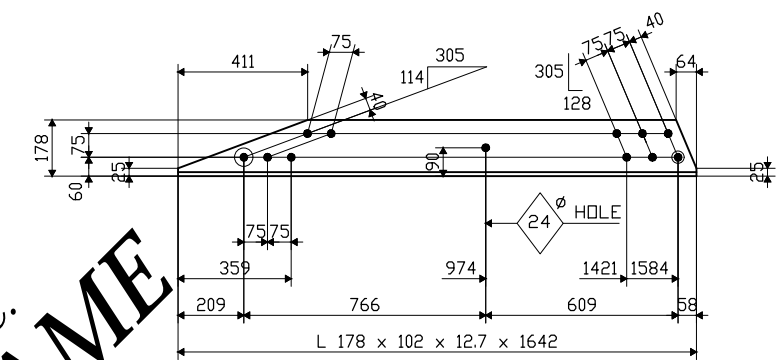
DETAIL of PL "N"



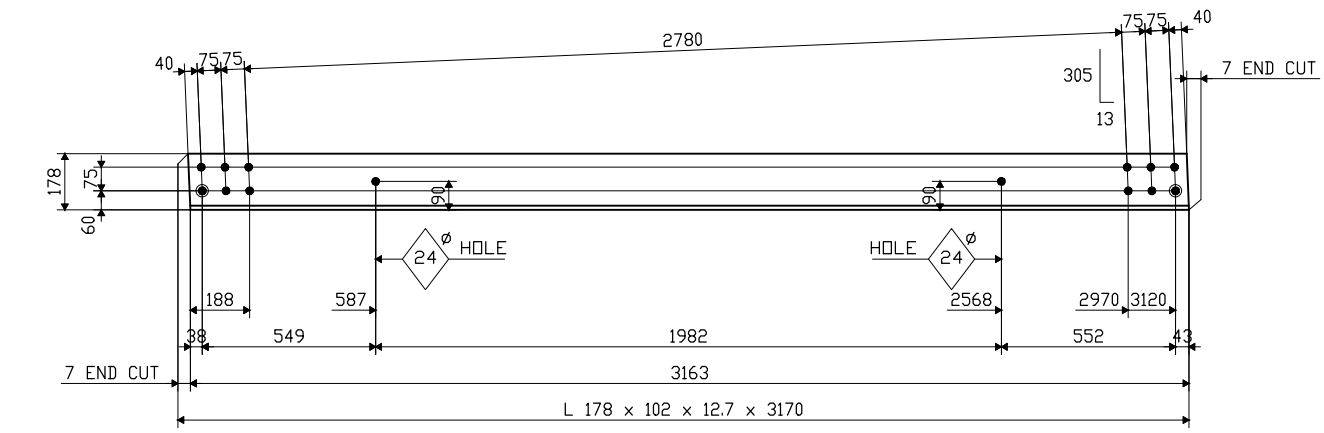
DETAIL of ANGLE "A"



DETAIL of ANGLE "D"



DETAIL of ANGLE "E"



DETAIL of ANGLE "C"

SHOP BILL												
LINE NO.	SHIPPING LIST		PCS REQ'D	DESCRIPTION			LENGTH mm	ASSEMBLY MARK	REMARKS	MTRL. SPEC.	MATERIAL APPLICATION	
	NO.	MARK		CODE	SYMBOL	SECTION DIM'S					P.O. NO.	LINE NO.
1												
2												
3	4	16F1				INTERMEDIATE CROSSFRAME						
4			4	L		178x102x12.7	3170	A	V	M270-345W	7143BY	1
5			4	L		178x102x12.7	3170	C	V	M270-345W	7143BY	1
6			4	L		178x102x12.7	1590	D	V	M270-345W	7143BY	1
7			4	L		178x102x12.7	1642	E	V	M270-345W	7143BY	1
8			4	PL		16 x 318	1226	H	V	M270-345W	7141IS	1
9			4	PL		19 x 80	501	M	V	M270-345W	SHN	
10			4	PL		19 x 80	502	N	V	M270-345W	SHN	
11			112	F	HSBT	22	63			A325-3	PH7593	3
12			112	F	HWASH	22				F436-3	PH7593	8
13			16	F	HSBT	22	70			A325-3	PB7871	1
14			16	F	HWASH	22				F436-3	PB7871	2
15												
16												
17												
18												
19												
20												
21												
22												
23												
24												
25										DOMESTIC MATERIAL		

SEE HN1 FOR FABRICATION NOTES

PDC Sample DWG 203  
 HAMILTON CO, TN  
 WRIGHT BROTHERS INDUSTRIES  
 WRIGHT BROTHERS CONST. CO. INC.  
**BOLTED CROSSFRAME**  
 TNDOT 2012

FABRICATED BY COLFAX

HOLES 24 (UN) SHOP FASTENERS \_\_\_\_\_

SHOP PAINT NONE

SHOP INSPECTION \_\_\_\_\_

GENERAL NOTES \_\_\_\_\_

REVISIONS		
DATE	NO.	BY
	R1	

PROJECT No. NHE-29 (48)  
 CONST. No. 33037-3230-14  
 BRIDGE I.D. No. 33FA0271011

ORDER NO. 11-18743H25  
 DETAILS OF CROSSFRAME DETAIL

PROJECT BRIDGE #6 -RAMP NWS OVER  
 SIGNAL MOUNTAIN BLVD. (STA 25+190.026)

LOCATION HAMILTON COUNTY, TN  
 CUSTOMER WRIGHT BROTHERS CONST. CO., INC.

**HIRSCHFELD INDUSTRIES**  
 BRIDGE  
 GREENSBORO, NC (336) 275-9711

MADE BY WS  
 CHECKED BY PDC/SB  
 SQUAD LEADER Precise Drafting Co, Inc.  
 DATE 01-2012

SHEET HF16