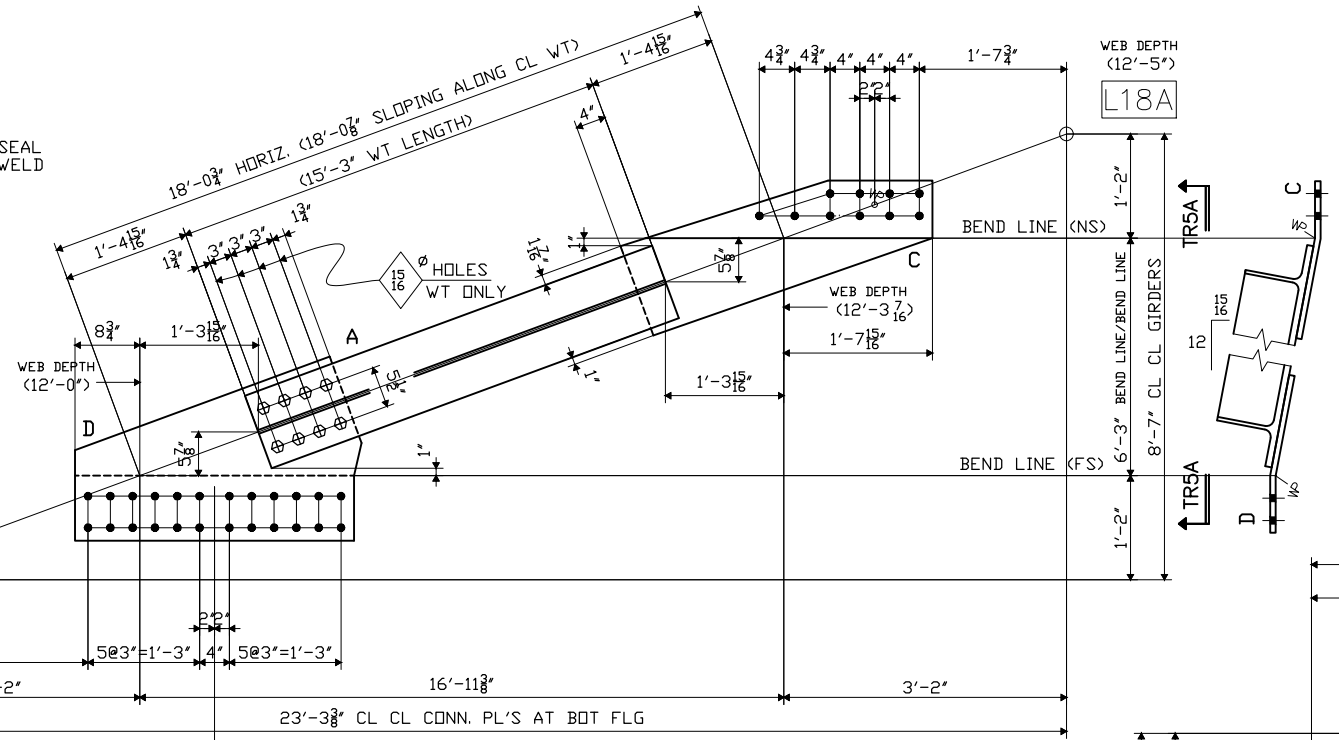


TYP. WT WELD



L18A

SECTION TR5A - TR5A

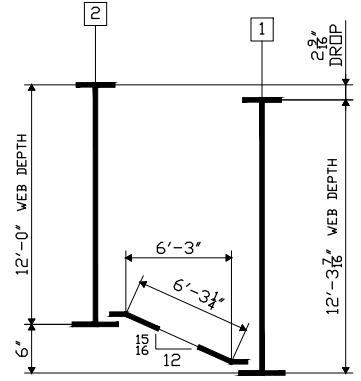
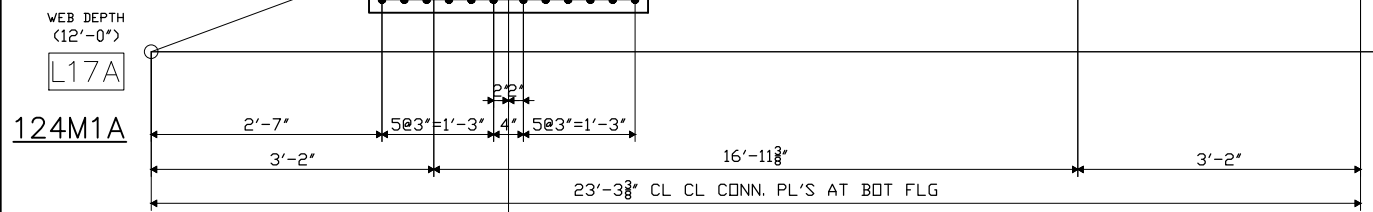


DIAGRAM TR5A-TR5A

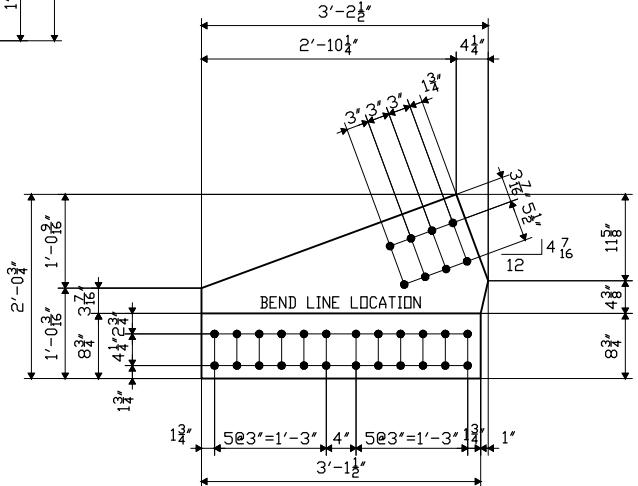


L17A

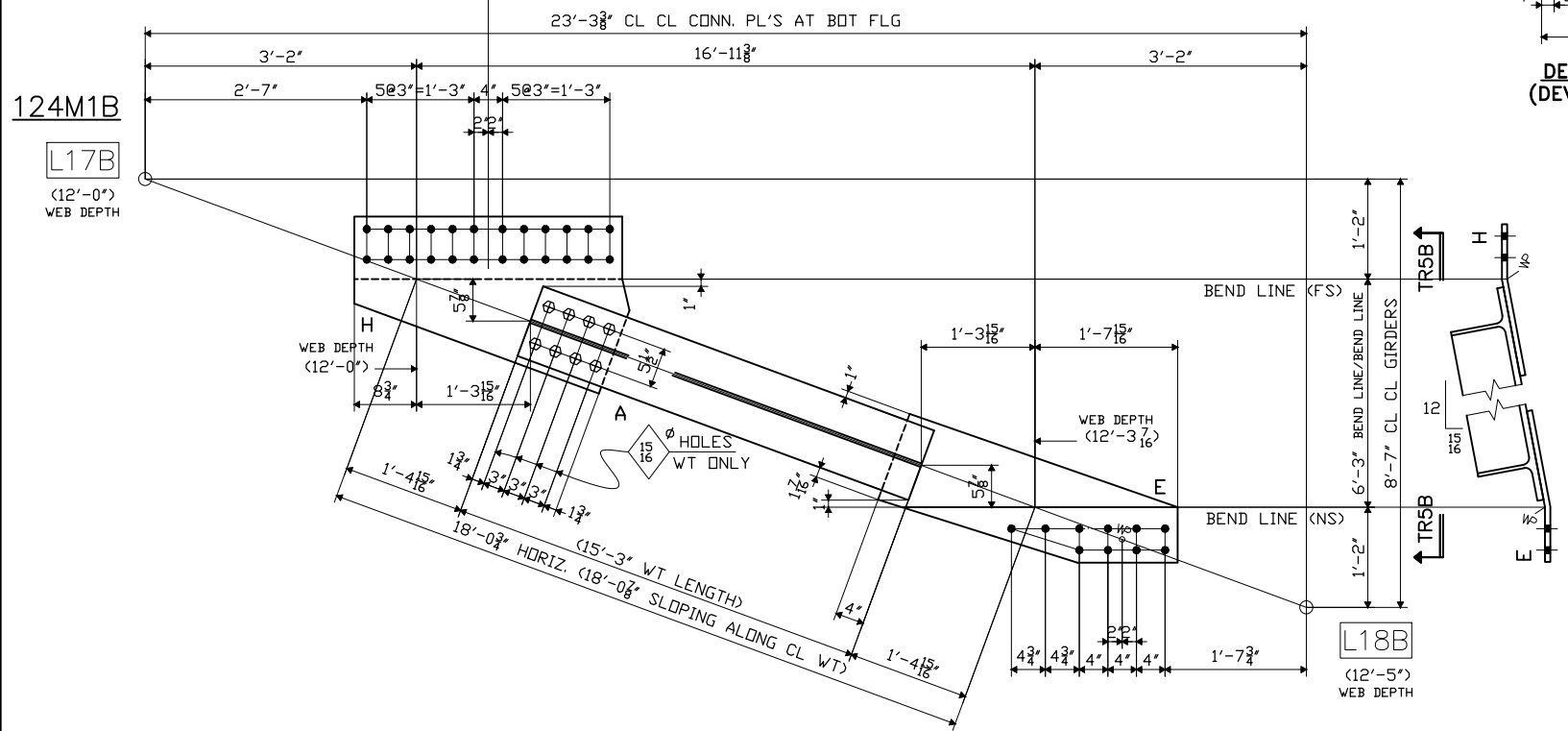
124M1A

PAINT NOTE "C" APPLIES TO ALL OPEN HOLES AT GUSSET PL'S.

L2B DENOTES LATERAL CONNECTION REF. TO FRAMING PLAN



DETAIL of GUSSET PL'S D, H (DEV. VIEW PRIOR TO BENDING)



L17B

124M1B

L18B

SECTION TR5B - TR5B

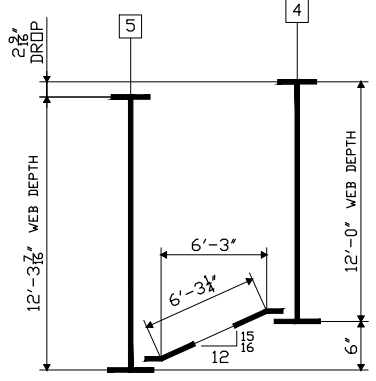
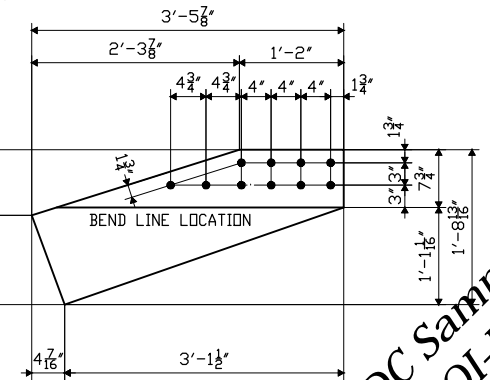


DIAGRAM TR5B-TR5B



DETAIL of GUSSET PL'S C, E (DEV. VIEW PRIOR TO BENDING)

SHOP BILL

LINE NO.	SHIPPING LIST		PCS REQD	DESCRIPTION		LENGTH FEET INCHES	ASSEMBLY MARK	REMARKS	MTRL. SPEC.	MATERIAL APPLICATION	
	NO. PCS	MARK		SYMBOL	SECTION DIM'S					P.O. NO.	LINE NO. PCS
1											
2											
3	1	124M1A			LATERAL						
4	1		1	WT	8x44.5	15 3	A		A709-50	6795NY	2
5	1		1	PL	3/4 x 41 7/8	1 8 13/16	C	BEND	A709-50	4327IS	5
6	1		2	PL	3/4 x 38 1/2	2 0 3/4	D	BEND	A709-50	4327IS	5
7			2	F BOLT	7/8 RD	0 2 3/4		SHIPPING BOLTS	A307	PH7412	3
8											
9											
10											
11	1	124M1B			LATERAL						
12	1		1	WT	8x44.5	15 3	A		A709-50	6795NY	2
13	1		1	PL	3/4 x 41 7/8	1 8 13/16	E	BEND	A709-50	4327IS	5
14	1		2	PL	3/4 x 38 1/2	2 0 3/4	H	BEND	A709-50	4327IS	5
15			2	F BOLT	7/8 RD	0 2 3/4		SHIPPING BOLTS	A307	PH7412	3
16											
17											
18											
19											
20											
21											
22											
23											
24											
25					DOMESTIC MATERIAL						

SEE HN1 FOR FABRICATION NOTES

PDC Sample DWG 301
 CHARLEROI-MONESSEN BRIDGE
 HIRSCHFELD INDUSTRIES
 JOSEPH B. FAY COMPANY
Lateral Member Detail
 PENNDOT 2011

FABRICATED BY COLFA
 HOLES 1/16" (U.N.) SHOP FASTENERS
 SHOP PAINT PAINTED PER HN1 & 2 (UNPAINTED)
 SHOP INSPECTOR
 GENERAL NOTES

STRUCTURE No. S-30378
 DATE 2018 SECTION A10
 SEG. 0010 OFFSET 0089
 STA: 305+12.45 TO STA: 315+23.55

ORDER NO. 11-18684H22
 DETAILS OF LATERAL DETAILS

PROJECT CHARLEROI-MONESSEN BRIDGE
 STA: 309+33.26 OVER THE MONONGAHELA RIVER
 LOCATION WASHINGTON & WESTMORELAND CO, PA
 CUSTOMER JOSEPH B. FAY COMPANY

HIRSCHFELD INDUSTRIES
 BRIDGE
 GREENSBORO, NC (336) 275-0711

MADE BY WS
 CHECKED BY PDC/SB
 SQUD LEADER Precise Drafting Co, Inc.
 DATE 03-2011

SHEET HF124