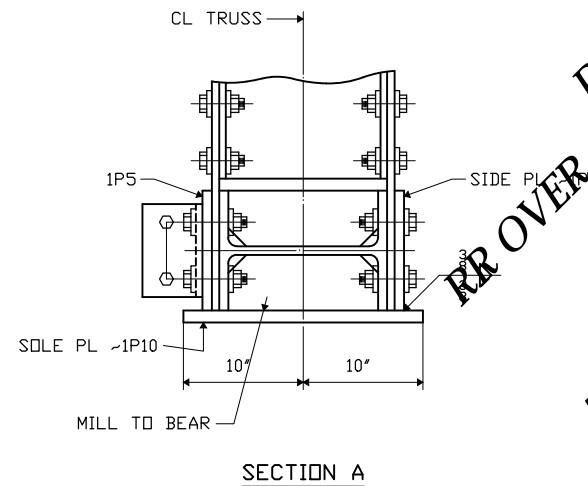


ONE TRUSS PANEL SUB-ASSEMBLY ~ 12T1

SHIPPER		BILL OF MATERIAL		SHIPPER		BILL OF MATERIAL			
NO.	MARK	NO.	MARK	DESCRIPTION	NO.	MARK	NO.	MARK	DESCRIPTION
1	12T1	1	12T1	TRUSS PANEL SUB-ASS'Y	8	2A1	8	2A1	TOP SUPPORT L
1	6M1	1	6M1	TOP CHORD	2	2A2	2	2A2	TOP SUPPORT L
1	8M1	1	8M1	BDT CHORD	2	2A3	2	2A3	TOP SUPPORT L
1	8M2	1	8M2	BDT CHORD	4	2A4	4	2A4	TOP SUPPORT L
1	9M1	1	9M1	BDT CHORD	8	3P7	8	3P7	FILL PL
10	1P1	10	1P1	GUSSET PL ~ TOP CHORD	4	4A3	4	4A3	BDT SUPPORT L
4	1P2	4	1P2	GUSSET PL ~ TOP CHORD	2	4A5	2	4A5	BDT SUPPORT L
4	1P3	4	1P3	GUSSET PL ~ TOP CHORD	1	4A7	1	4A7	BDT SUPPORT L
4	1P4	4	1P4	GUSSET PL ~ BDT CHORD	2	10BR1	2	10BR1	END SWAY BRACKET
4	1P5	4	1P5	SIDE PL ~ BDT CHORD	3	11BR1	3	11BR1	INT SWAY BRACKET
4	1P6	4	1P6	GUSSET PL ~ BDT CHORD	2	5V1	2	5V1	VERTICAL BRACE
4	1P7	4	1P7	GUSSET PL ~ BDT CHORD	2	5V2	2	5V2	VERTICAL BRACE
4	1P8	4	1P8	GUSSET PL ~ BDT CHORD	2	5V3	2	5V3	VERTICAL BRACE
2	1P9	2	1P9	GUSSET PL ~ BDT CHORD	2	5V4	2	5V4	VERTICAL BRACE
2	1P10	2	1P10	SOLE PL ~ BDT CHORD	1	5V5	1	5V5	VERTICAL BRACE
9	10A2	9	10A2	FLBM CLIP L	2	5D1	2	5D1	DIAGONAL BRACE
2	10A3	2	10A3	BDT END STRUT CLIP L	2	5D2	2	5D2	DIAGONAL BRACE
2	11A1	2	11A1	INT CLIP L @ L2, L6	4	5D3	4	5D3	DIAGONAL BRACE
1	11A2 ^R	1	11A2 ^R	INT CLIP L @ L4					



SECTION A

PDC Sample DWG 40
 RR OVER ARTIST FALLS RD ~ CONWAY, NH
 FOSTER.PRECISE
 ELVIN J. COLEMAN & SONS, INC.
TRUSS FRAMING PLAN
 NHDOT 2001

REV. NO.	DATE	REVISION
3		
2		
1		

TRUSS PANEL ASSEMBLY ~ 12T1

RAILROAD OVER ARTIST FALLS ROAD BRIDGE No: 079/065
 STATE PROJECT No. 11339-E CONWAY, NH.

FOSTER • PRECISE
 3 FARM LANE
 GEORGETOWN, MA 01833-1843

ENG'R: PARSONS TRANSPORTATION GROUP.
 CONTRACTOR: ELVIN J. COLEMAN & SONS, INC.

DRAWN BY	CHECKED BY	APP.	SHOP	DIST.	CONTRACT NO.	SHEET NO.
PDC/JB	PDC/SB				3207	12A
05-01	05-01					