

# SHOP BILL

LINE NO.	SHIPPING LIST		PCS REQD	DESCRIPTION		LENGTH		ASSEMBLY MARK	REMARKS	MTRL SPEC.	MATERIAL APPLICATION		
	NO.	MARK		CODE	SYMBOL	SECTION	DIM'S				FT	IN	P.O. NO.
1													
2	2	7P1	2	PL	3 5/8 x 14	2	6 1/8		FIN-TD-3A	A572-50	SHN		
3			4	PL	1" x 4 3/4	0	4 3/4	A		A572-50	SHN		
4													
5													
6	2	7P2	2	PL	3 1/4 x 8	3	4		FIN	A572-50	SHN		
7			2	PL	2 3/4 x 17 1/2	2	6	C	FIN	A572-50	SHN		
8			12	PL	1" x 2 1/8	1	0 3/4	D	FIN	A572-50	SHN		
9			4	BAR	1" Ø	0	1 1/2	X	FIN	A572-50	0198LE	2	
10													
11													
12	2	7P3	2	PL	5 1/4 x 22	3	4		FIN-TD-5	A572-50	0190BL	1	
13			4	BAR	1" Ø	0	1 1/2	X	FIN	A572-50	0198LE	2	
14													
15													
16	8	7W1	8	PL	5/16 x 1 3/4	0	3 1/4			A572-50	SHN		
17													
18													
19	8	7M1	8	X	CAP SCREW	1 3/8 RD	0	3		4#	A325-T3	DH6864	9
20	8	7M2	8	X	COTTER PIN	1/4 RD	0	4		1#	PL STEEL	DH6864	10
21													
22													
23	8	7FP23	8	F	HSBT	7/8 RD	0	3 1/4			A490-3	DH6864	11
24	8	7FP24	8	F	LWAS	7/8 RD					HDTV	DH6864	12
25													
26													
27													
28													
29													
30													
31													
32													
33													

DOMESTIC MATERIAL  
SEE HN1 FOR FABRICATION NOTES

PDC Sample DWG 401  
 EDGAR CO, ILLINOIS  
 CAROLINA STEEL CORPORATION  
 CSX TRANSPORTATION  
**BEARING ITEM Detail**  
 CSX ILLINOIS 2002

AFE No. A27717  
 BRIDGE No. 183  
 STA: 21+53.13 TO STA: 22+57.88  
 EDGAR COUNTY

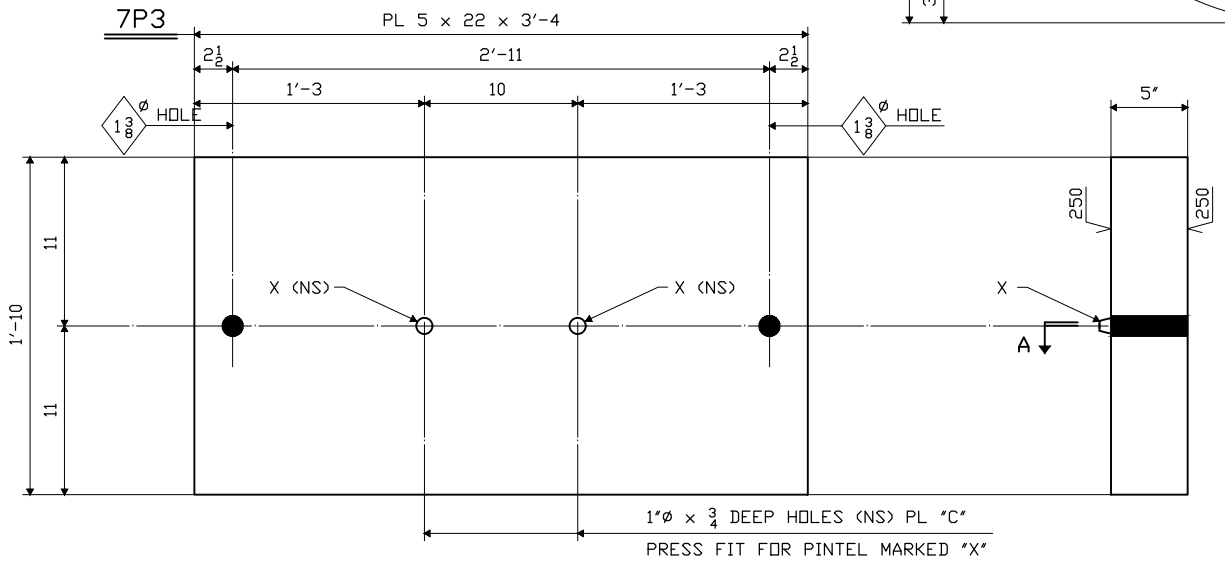
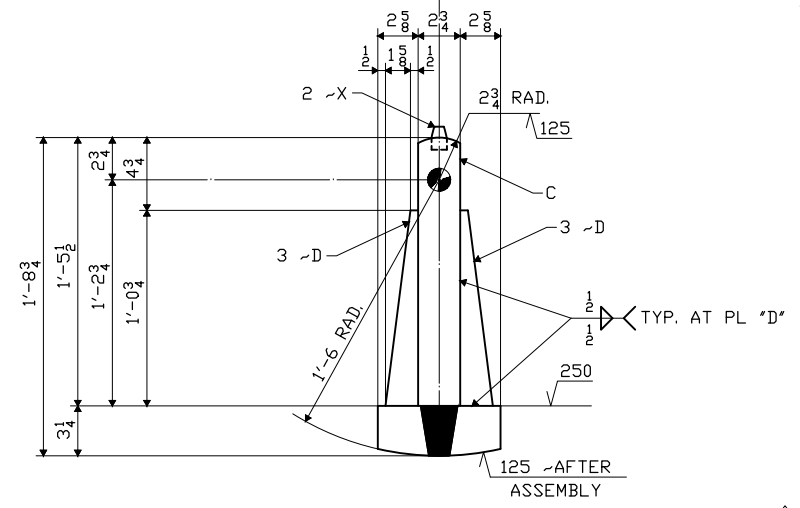
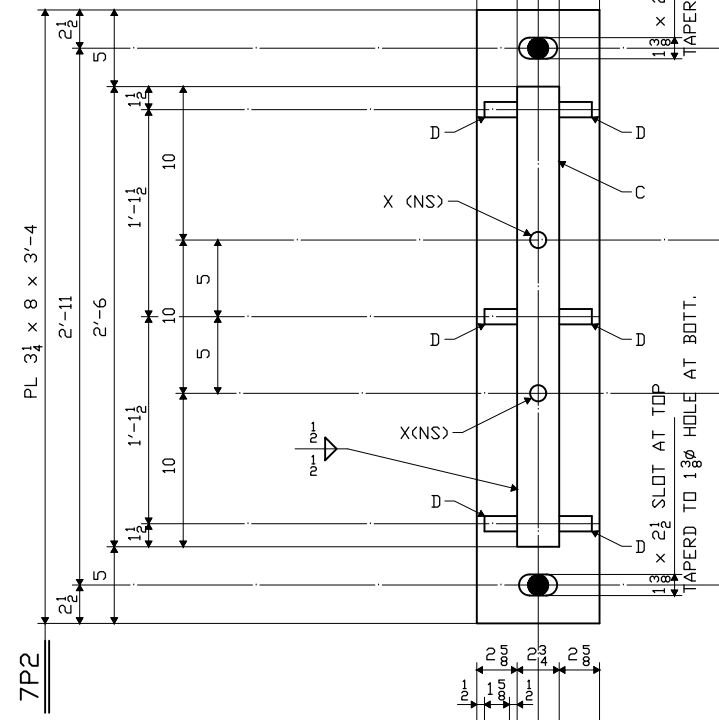
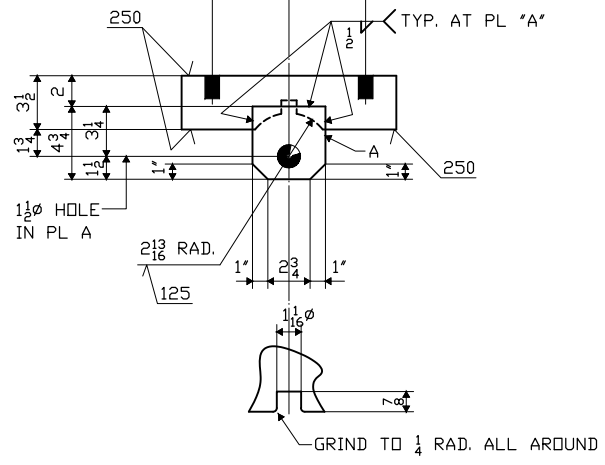
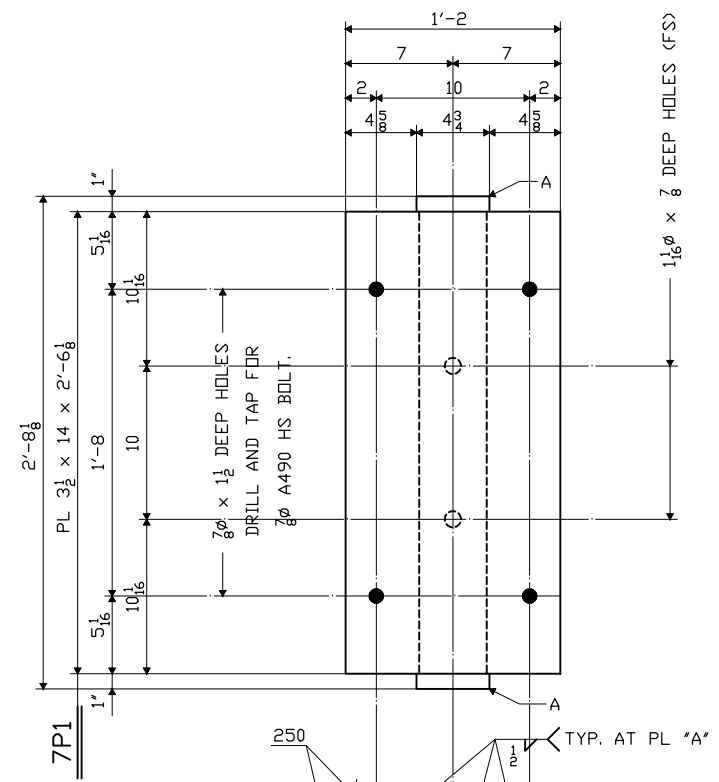
ORDER NO. 02-18085H22  
 DETAILS OF EXP. BEARING WEST ABUT.

PROJECT BRIDGE No. 183 @ M.P. 207.21 OVER  
 NAWBONE CREEK (CRABAPPLE CREEK)

LOCATION EDGAR CO., IL  
 CUSTOMER CSX TRANSPORTATION

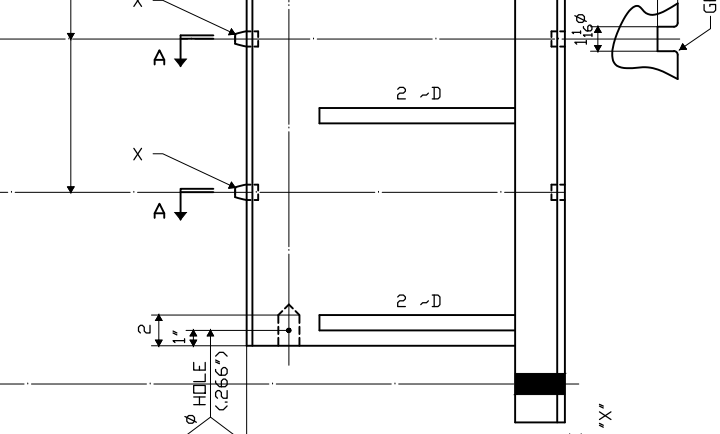
CAROLINA STEEL CORPORATION

MADE BY BLS  
 CHECKED BY PDC/SB  
 SQUAD LEADER FMW  
 DATE 04-02 SHEET HF7

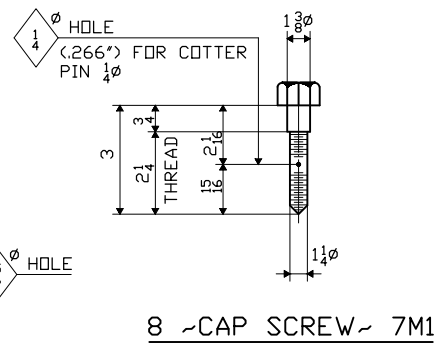


DRILL & TAP 1 1/4" x 2" DEEP MIN. HOLES  
 IN PL "C" FOR 1 1/4" CAP SCREW (7M1)

1" x 3/4" DEEP HOLES (NS) PL "C"  
 PRESS FIT FOR PINTLE MARKED "X"  
 1 1/8" x 7/8" DEEP HOLES (FS) PL "7P2"



SECTION A  
AT PINTLE "X"



8 -CAP SCREW- 7M1

7W1 -PLATE WASHER - 5/16 x 1 3/4 x 3 1/4