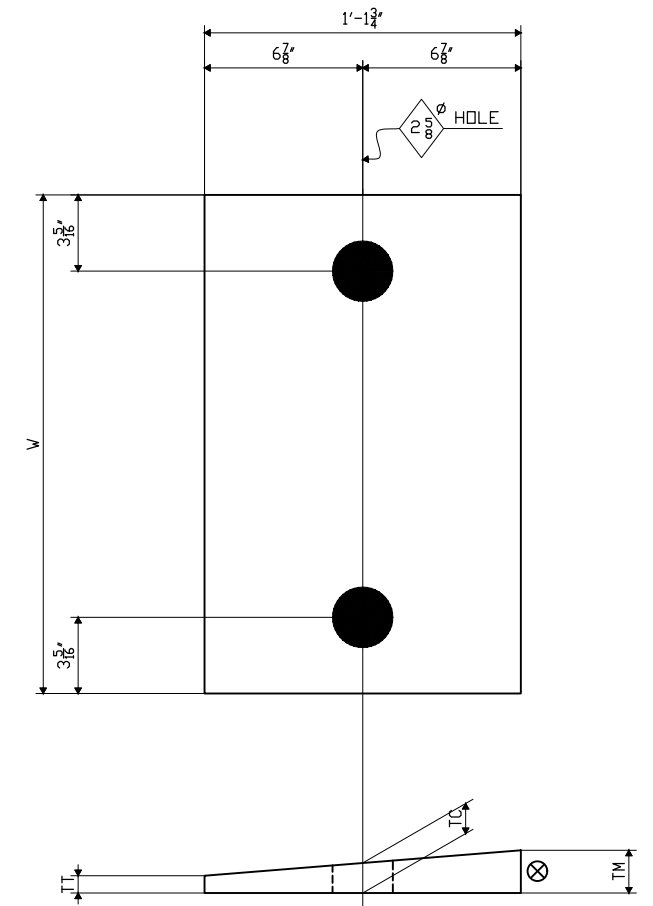
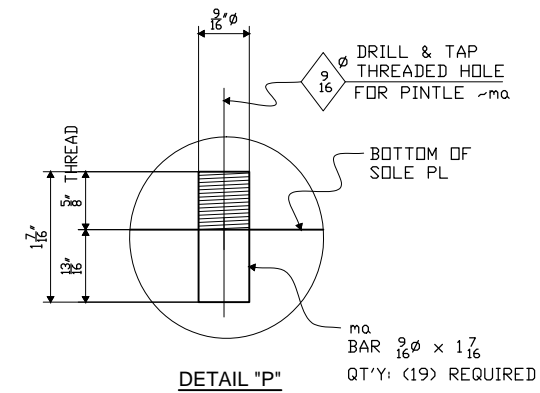
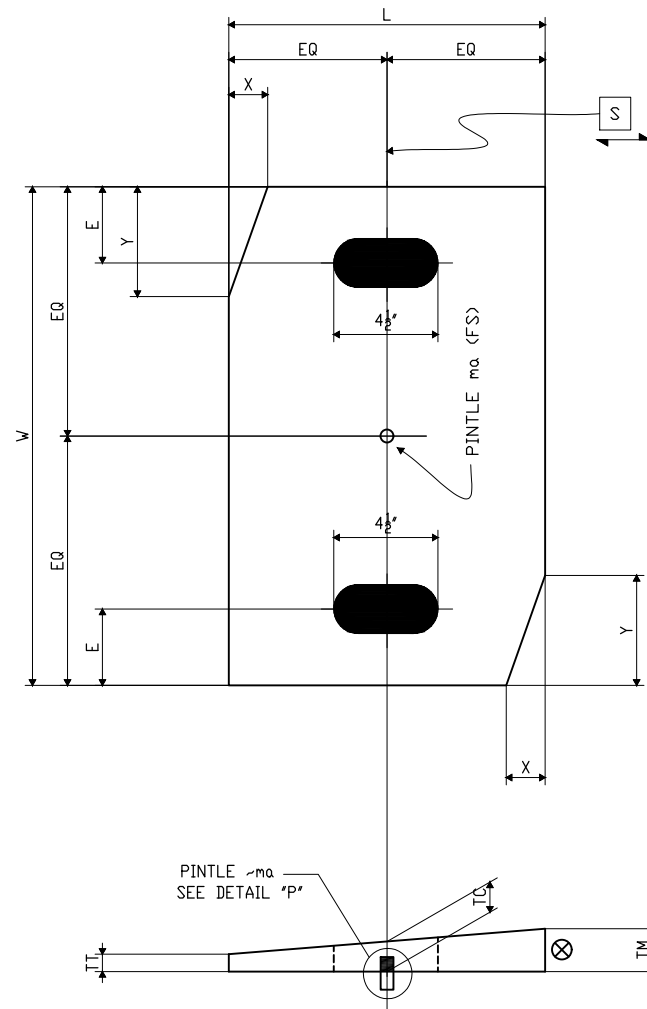


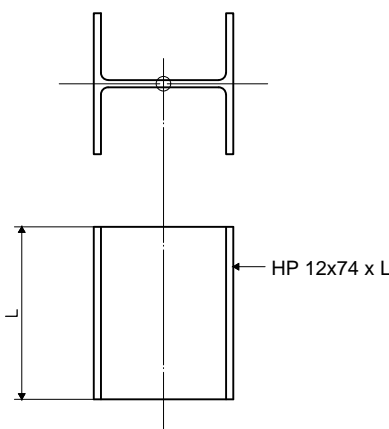
MARK	QT'Y.	TT	TC	TM	LOCATION
a1	12	1 3/4	1 13/16	1 7/8	ABUT 1 -B3 - B14
a2	12	2 3/8	2 7/16	2 1/2	PIER 1 -B3 - B14
a3	12	2 3/8	2 7/16	2 1/2	PIER 2 -B3 - B14
a4	10	--	2 3/16	--	ABUT 2 -B3 - B7 ABUT 2 -B10 - B14
a5	2	--	1 3/4	--	ABUT 2 -B8 + B9

ALIKE EXCEPT FOR MARK



MARK	QT'Y.	W	TT	TC	TM	LOCATION
c1	4	2'-3 3/8	1 3/4	1 13/16	1 7/8	PIER 2 -B1 + B2 PIER 2 -B15 + B16
c2	12	2'-8 1/4	--	2 3/8	--	PIER 2 -B3 - B14

MARK	QT'Y.	L	W	E	S	TT	TC	TM	X	Y	PINTLE	LOCATION
b1	2	1'-1 1/4	1'-11 1/4	2 5/8	2 1/8 x 4 1/2	1'	1 1/16	1 1/8	2 3/8	6'	YES	ABUT 1 -B1 + B2
b2	2	1'-1 1/4	1'-8	2 5/8	2 1/8 x 4 1/2	1'	1 1/16	1 1/8	1 1/16	4 3/8	YES	ABUT 1 -B15 + B16
b3	12	1'-1 1/4	1'-7 3/4	2 5/8	2 1/8 x 4 1/2	--	1 3/4	--	--	--	YES	ABUT 1 -B3 - B14
b4	4	1'-1 1/4	2'-3 3/8	3 5/16	2 5/8 x 4 1/2	1 3/4	1 13/16	1 15/16	--	--	NO	PIER 1 -B1 + B2 PIER 1 -B15 + B16
b5	12	1'-1 1/4	2'-8 1/4	3 5/16	2 5/8 x 4 1/2	--	2 3/8	--	--	--	NO	PIER 1 -B3 - B14
b6	1	1'-0	1'-11 1/4	2 5/8	2 1/8 x 4 1/2	--	1'	--	1 1/2	4 1/4	YES	ABUT 2 -B1
b7	1	1'-0	1'-8	2 5/8	2 1/8 x 4 1/2	--	1'	--	1 15/16	2 11/16	YES	ABUT 2 -B16
b8	10	1'-1 1/4	2'-6 3/4	2 5/8	2 1/8 x 4 1/2	--	2 3/16	--	--	--	NO	ABUT 2 -B3 - B7 ABUT 2 -B10 - B14
b9	1	1'-1 1/4	1'-8 1/2	2 5/8	2 1/8 x 4 1/2	--	1 3/4	--	--	--	YES	ABUT 2 -B8
b6a	1	1'-0	1'-11 1/4	2 5/8	2 1/8 x 4 1/2	--	1'	--	1 1/2	4 1/4	NO	ABUT 2 -B2
b7a	1	1'-0	1'-8	2 5/8	2 1/8 x 4 1/2	--	1'	--	1 15/16	2 11/16	NO	ABUT 2 -B15
b9a	1	1'-1 1/4	1'-8 1/2	2 5/8	2 1/8 x 4 1/2	--	1 3/4	--	--	--	NO	ABUT 2 -B9



MARK	QT'Y.	L
h1	2	11 7/8
h2	1	1'-0
h3	8	1'-0 1/4
h4	3	1'-0 9/16
h5	4	1'-0 7/8
h6	2	1'-1 5/16
h7	2	1'-1 11/16
h8	5	1'-1 15/16
h9	2	1'-2 1/4
h10	2	1'-2 5/8
h11	3	1'-3 1/16
h12	1	1'-3 1/2

MARK	QT'Y.	L
h1a	2	10 3/8
h2a	2	10 1/2
h3a	1	10 3/4
h4a	1	11 1/16
h6a	1	11 13/16
h7a	2	1'-0 3/8
h9a	2	1'-0 3/4
h10a	1	1'-1 1/8
h5a	1	11 3/8

SHOP NOTE

DO NOT SHIP MATERIAL FROM THIS DRAWING. MATERIAL SHOWN ON THIS DRAWING SHALL BE SHOP ASSEMBLED TO BEAMS OR BOLSTERS. SEE BEAM OR BOLSTER DRAWINGS FOR LOCATION AND DETAILS OF ASSEMBLY.

PDC Sample DWG 404
 MONTGOMERY CO., PA
 FOSTER. PRECISE
 NYLEVE BRIDGE CORPORATION
BEARING ITEM Detail
 PENNDOT 2006

SHOP NOTES

HOLES AS NOTED
 BOLTS NONE
 PAINT PER DETAIL SHEETS
 WELDS TO BE MADE USING PER GNL ELECTRODES
 MATERIAL A709 GR 36

REV. NO	DATE	REVISION
2	1/11/08	APPROVAL COMMENTS.
1	12/14/07	ADDED SOLE PL DETAILS FOR NO-PINTLE CONDITIONS

PARTS DWG - SOLE PL'S & BOLSTERS

MONTGOMERY CO., PA	BRIDGE No. S-23022
SR 0309, SEC. 101	
SEGMENT 0180/0181	OFFSET 0000
SR 0309 NB & SB	STA: 11+329.549 OVER LOCH ALSH AVENUE

FOSTER • PRECISE						
3 FARM LANE GEORGETOWN, MA 01833-1843						
OWNER: COMMONWEALTH OF PENNSYLVANIA ~ DOT CONTRACTOR: NYLEVE BRIDGE CORPORATION						
DRAWN BY	CHECKED BY	APP.	SHOP	DIST.	CONTRACT NO.	SHEET NO.
PDC/GM 11-06	PDC/SB 11-06				3424	P101