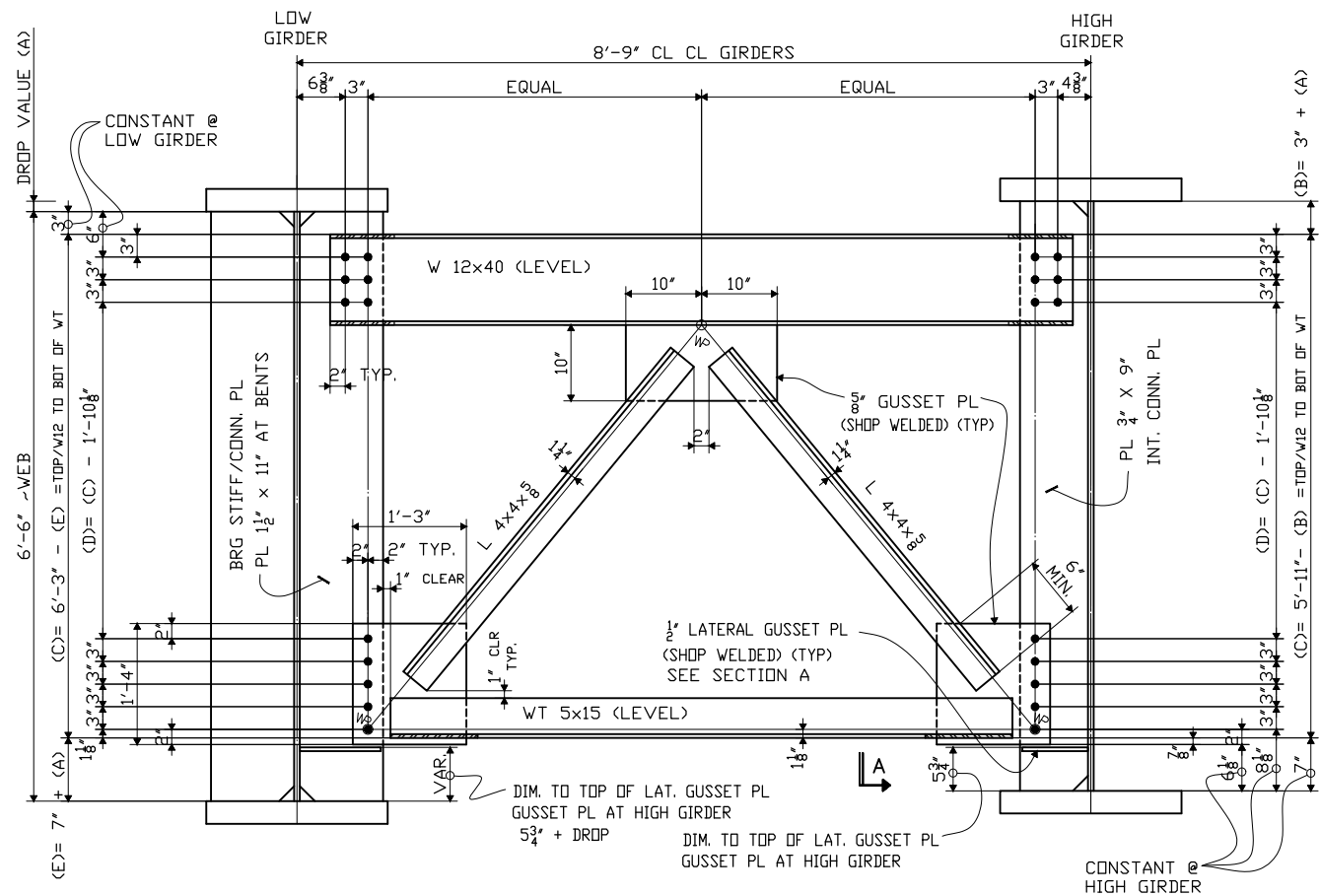


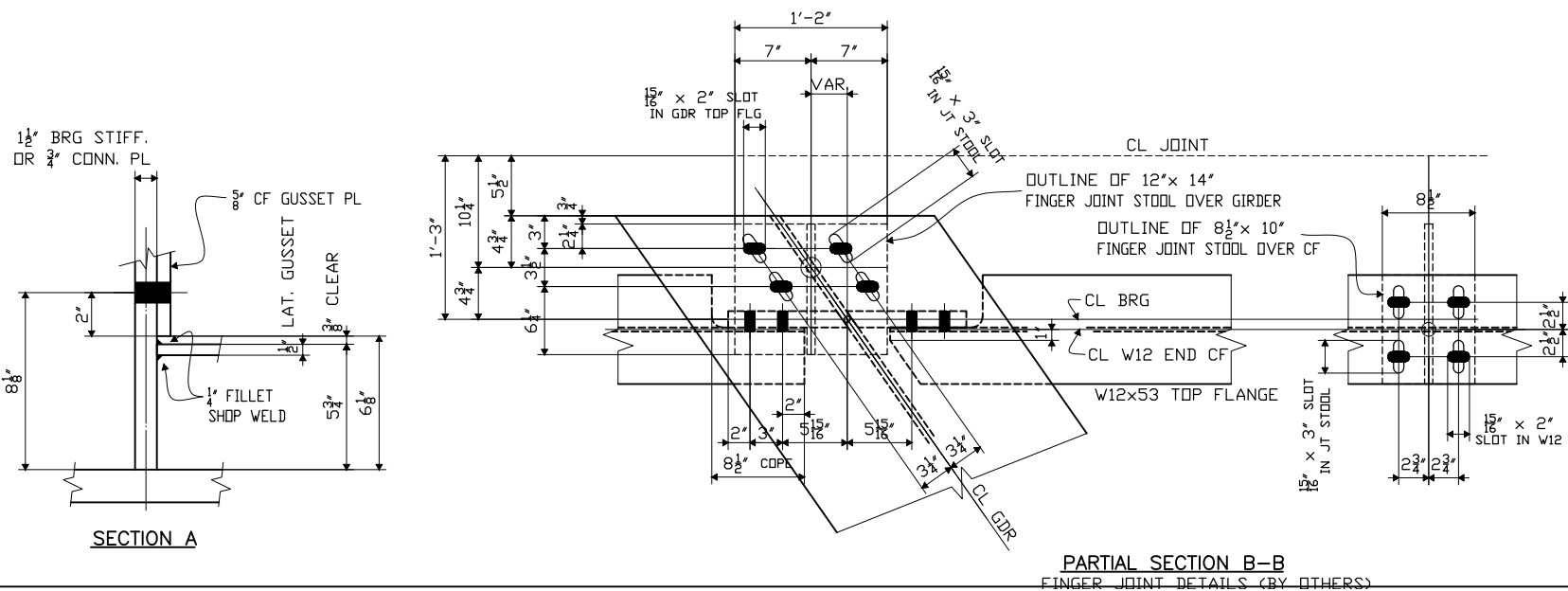
TYP. END BENT CROSSFRAME
 DESIGN DESIGNATION: TYPE 'C'

LOCATION	REQ'D.	CF MARK
END BENT 1	9	121F1 - 126F1
END BENT 4 UNIT 1	9	127F1 - 135F1
END BENT 4 UNIT 2	9	136F1 - 144F1
END BENT 8	9	145F1 - 153F1



TYP. INT. OR PIER CROSSFRAME
 DESIGN DESIGNATION: TYPE 'B' - INTERIOR BENTS
 DESIGN DESIGNATION: TYPE 'A' - INTERMEDIATE

LOCATION	REQ'D.	CF MARK
BENTS 2, 3, 5 & 7	45	154F1 - 157F1
VARIOUS INT. CF ALL BAYS EXCEPT BAY 5	472	158F1 - 170F1
VARIOUS INT. CF BAY 5 ONLY	59	171F1 - 177F1



PARTIAL SECTION B-B
 FINGER JOINT DETAILS (BY OTHERS)

PDC Sample DWG 54
MADISON CO, MS
HIRSCHFELD INDUSTRIES
TANNER CONSTRUCTION CO.
FRAMING SECTIONAL VIEWS
MSDOT 2010

FABRICATED BY	MONTGOMERY		
FINISH	SHOP FASTENERS		
SLIP PAINT			
SHOP INSPECTION			
GENERAL NOTES			
DATE	NO.	BY	REVISIONS
	R1		

F.A. PROJECT: STP-6947-00(004)
 FMS CONST. 101708/302000
 BRIDGE AT STA: 80+14.609
 MISSISSIPPI DEPT. OF TRANSPORTATION
 MADISON COUNTY

ORDER NO. 10-18665H22
 DETAILS OF TYP. CROSSFRAME ELEVATIONS
 PROJECT MS HWY 463 OVER ICRR & HOY RD.
 STA: 80+14.609 TO STA: 92+99.392
 LOCATION MADISON COUNTY, MS
 CUSTOMER TANNER CONSTRUCTION CO.
HIRSCHFELD INDUSTRIES
 BRIDGE
 GREENSBORO, NC (336) 275-9711
 MADE BY WS
 CHECKED BY PDC/SB
 SQUAD LEADER Precise Drafting
 DATE 04/2010
 SHEET HE6