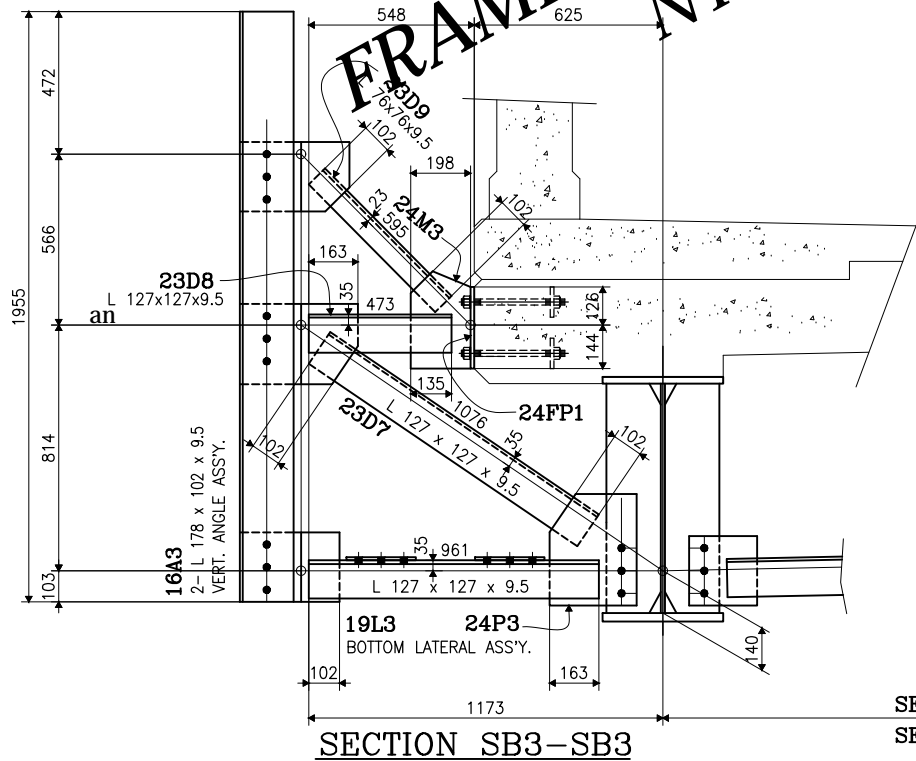


ERECTION PLAN AT SIGN 1

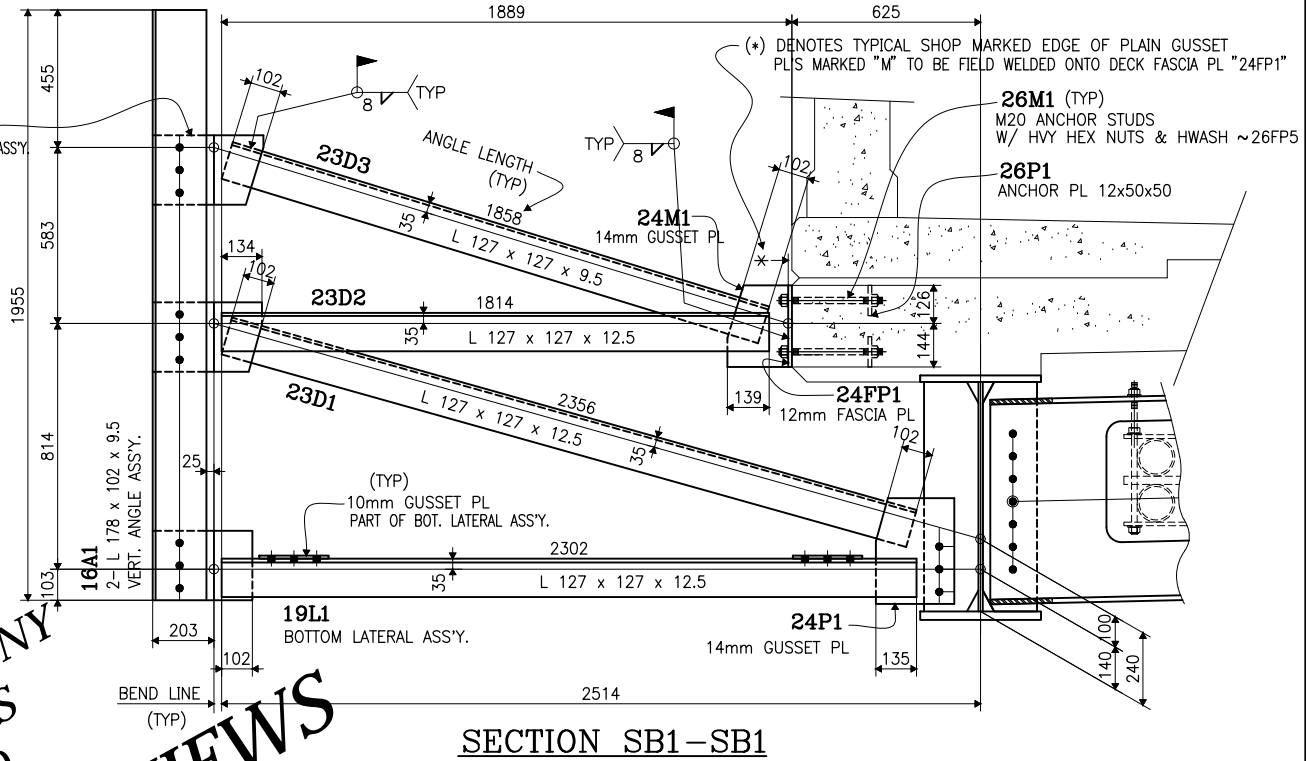
**FIELD WELDING NOTE**  
 GRIND TO REMOVE THE GALVANIZED SURFACES AT THE EDGES OF GUSSET PLATES OR ANGLES TO BE FIELD WELDED TO ALLOW FOR PROPER FIELD WELDING. REPAIR DAMAGED AREAS AFTER FIELD WELDING USING AN APPROVED ZINC RICH PAINT.

PDC Sample DWG 62  
 BRIDGE REHAB ~ SYRACUSE, NY  
 HIRSCHFELD INDUSTRIES  
 ECONOMY PAVING CO.  
**FRAMING SECTIONAL VIEWS**  
 NYSDOT 2010

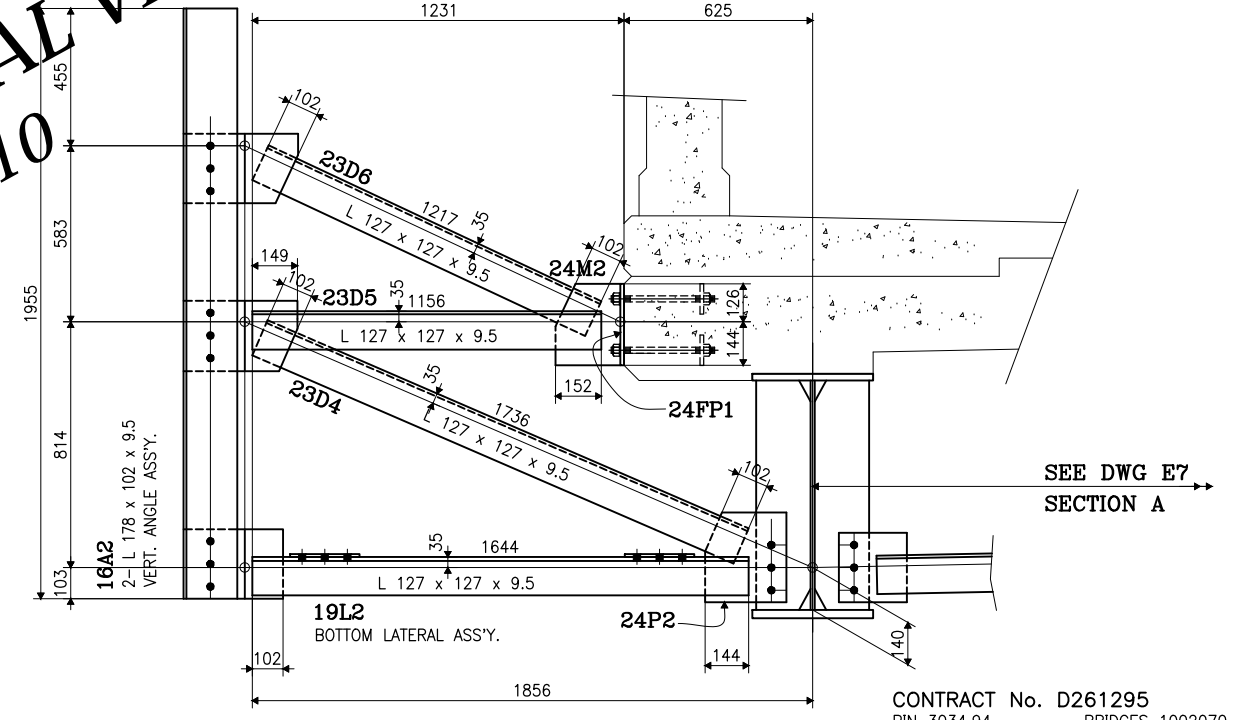


SECTION SB3-SB3

SEE DWG E7 SECTION A



SECTION SB1-SB1



SECTION SB2-SB2

SEE DWG E7 SECTION A

FABRICATED BY COLFAX  
 HOLES SHOP FASTENERS  
 SHOP PAINT  
 SHOP INSPECTION  
 GENERAL NOTES

REVISIONS			
DATE	NO.	BY	REVISIONS
	R1		

CONTRACT No. D261295  
 PIN 3034.94 BRIDGES 1002070  
 BRIDGE REHAB. & WEST ST. OFF-RAMP RECONST.  
 CITY OF SYRACUSE  
 STA: 1+075.750 TO STA: 1+116.974

ORDER NO. 09-18644H22  
 DETAILS OF ERECTION PLAN - SIGN 1

PROJECT ERIE BLVD OVER WEST STREET ARTERIAL  
 LOCATION ONONDAGA CO, NEW YORK  
 CUSTOMER ECONOMY PAVING CO.

**HIRSCHFELD INDUSTRIES**  
 BRIDGE  
 GREENSBORO, NC (336) 275-9711

MADE BY WS  
 CHECKED BY PDC/SB  
 SOUND LEADER Precise Drafting  
 DATE 02-10 SHEET E2